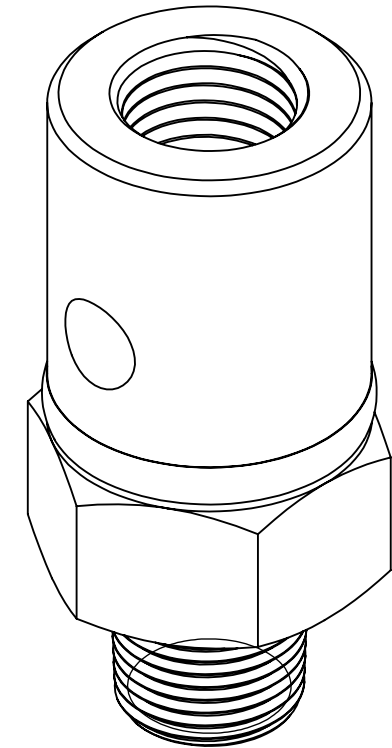
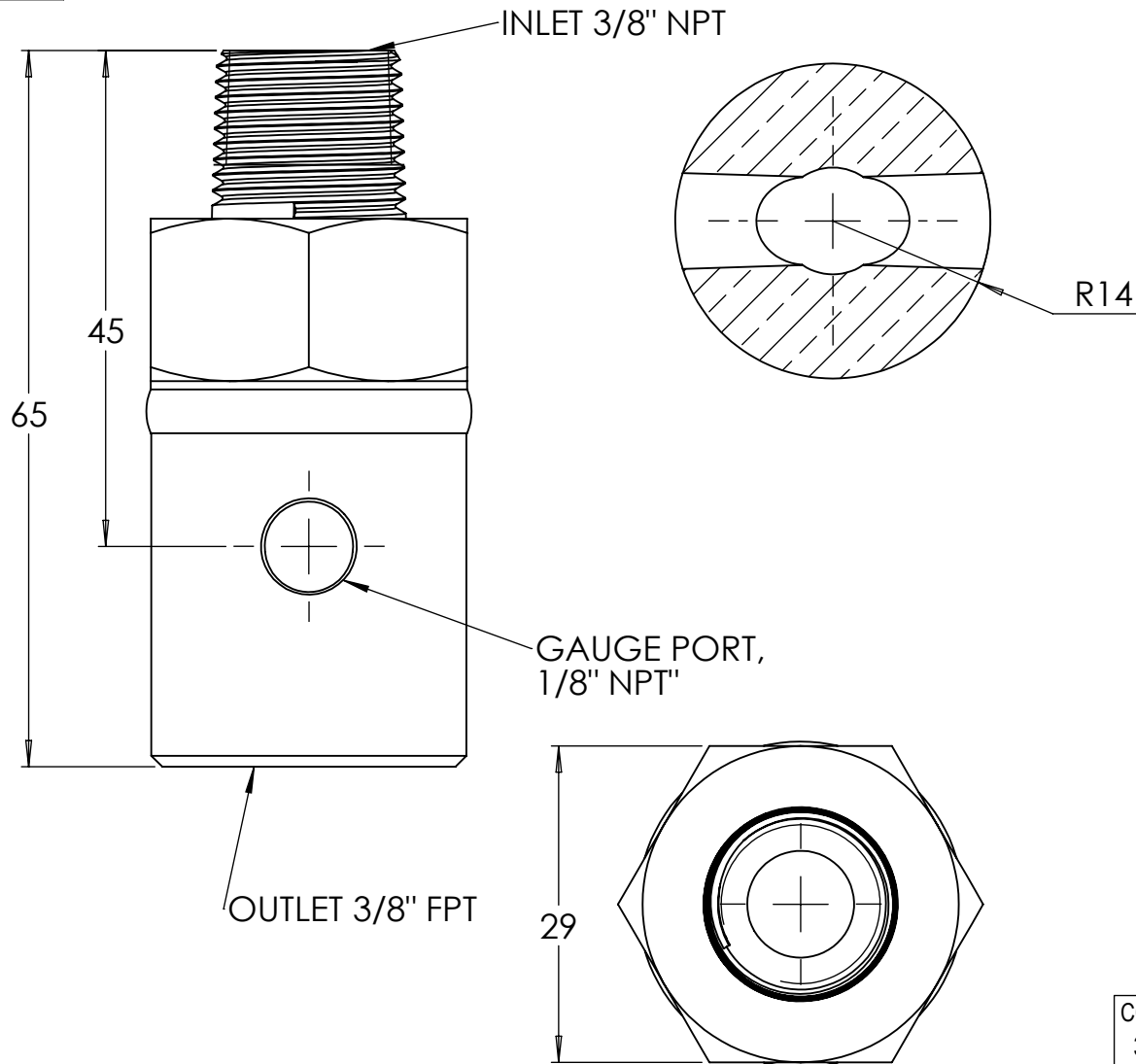




GENERAL TOLERANCES	ALL DIMENSIONS IN mm
NO DECIMAL PLACES = ± 1.5	ANGULAR = $\pm 2^\circ$
ONE DECIMAL PLACE = ± 1.0	ALL UNSPECIFIED
TWO DECIMAL PLACES = ± 0.5	ANGLES SHALL BE 45°



ISOMETRIC VIEW

NOTES:
 HELIEM LEAK TESTED
 SET PRESSURE RANGE: 10.3 TO 130 BARG
 TEMPERATURE RANGE: -40 TO 427°C
 UKCA/CE CERTIFICATION: CATEGORY IV

CONNECTION SIZE 3/8"	MATERIAL
DESCRIPTION OF EQUIPMENT RUPTURE DISC ASSEMBLY (3/8" ODS)	
PART NUMBER 5625	CURRENT ACTIVE REVISION A
SCALE 3:2	
DRAWN M. Rapach	
DATE 24/6/24	
CUSTOMER DRAWING	DRAWING No. 5625-Cust
	REVISION A