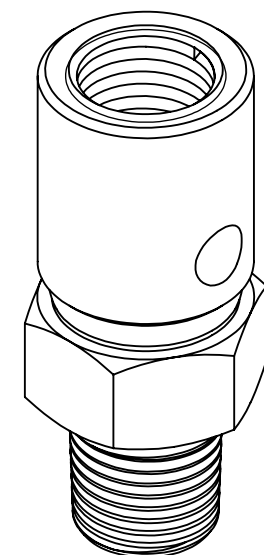
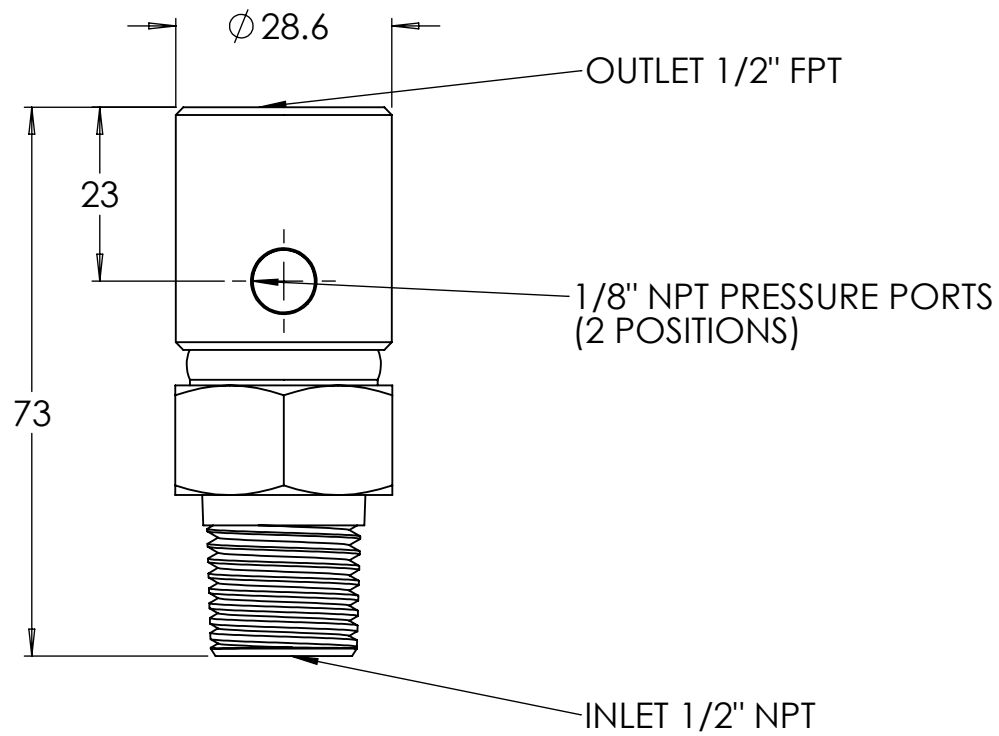
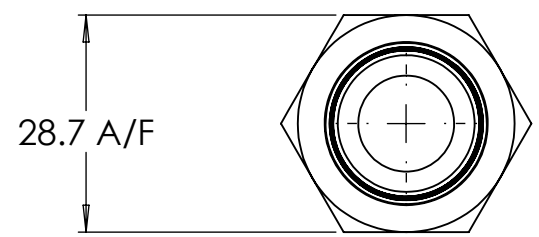


GENERAL TOLERANCES	ALL DIMENSIONS IN mm
NO DECIMAL PLACES = ±1.5	ANGULAR = ±2°
ONE DECIMAL PLACE = ±1.0	ALL UNSPECIFIED
TWO DECIMAL PLACES = ±0.5	ANGLES SHALL BE 45°



ISOMETRIC VIEW



**NOTES:**

1. HELIUM LEAK TESTED
2. SET PRESSURE RANGE: 10.3 to 130 barg
3. TEMPERATURE RANGE: -40 TO +427°C
4. UKCA/CE CERTIFICATION: CATEGORY IV

CONNECTION SIZE 1/2"	MATERIAL -	
DESCRIPTION OF EQUIPMENT <b>RUPTURE DISK ASSEMBLY</b>		
PART NUMBER 5626	CURRENT ACTIVE REVISION A	
SCALE 1:1		
DRAWN M. Rapach		
DATE 23/2/24		
CUSTOMER DRAWING	DRAWING No. <b>5626-Cust</b>	REVISION <b>A</b>