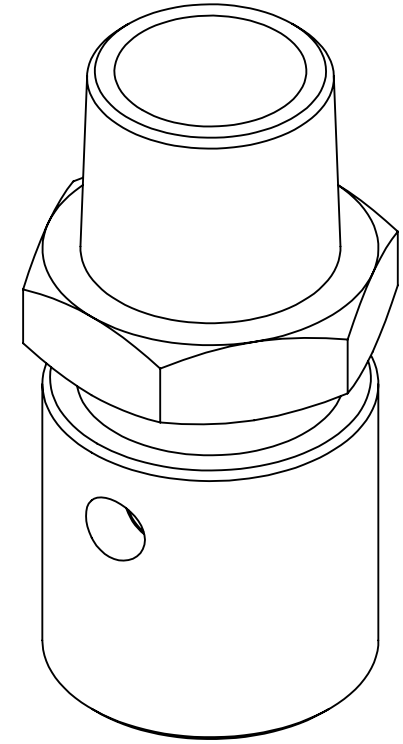
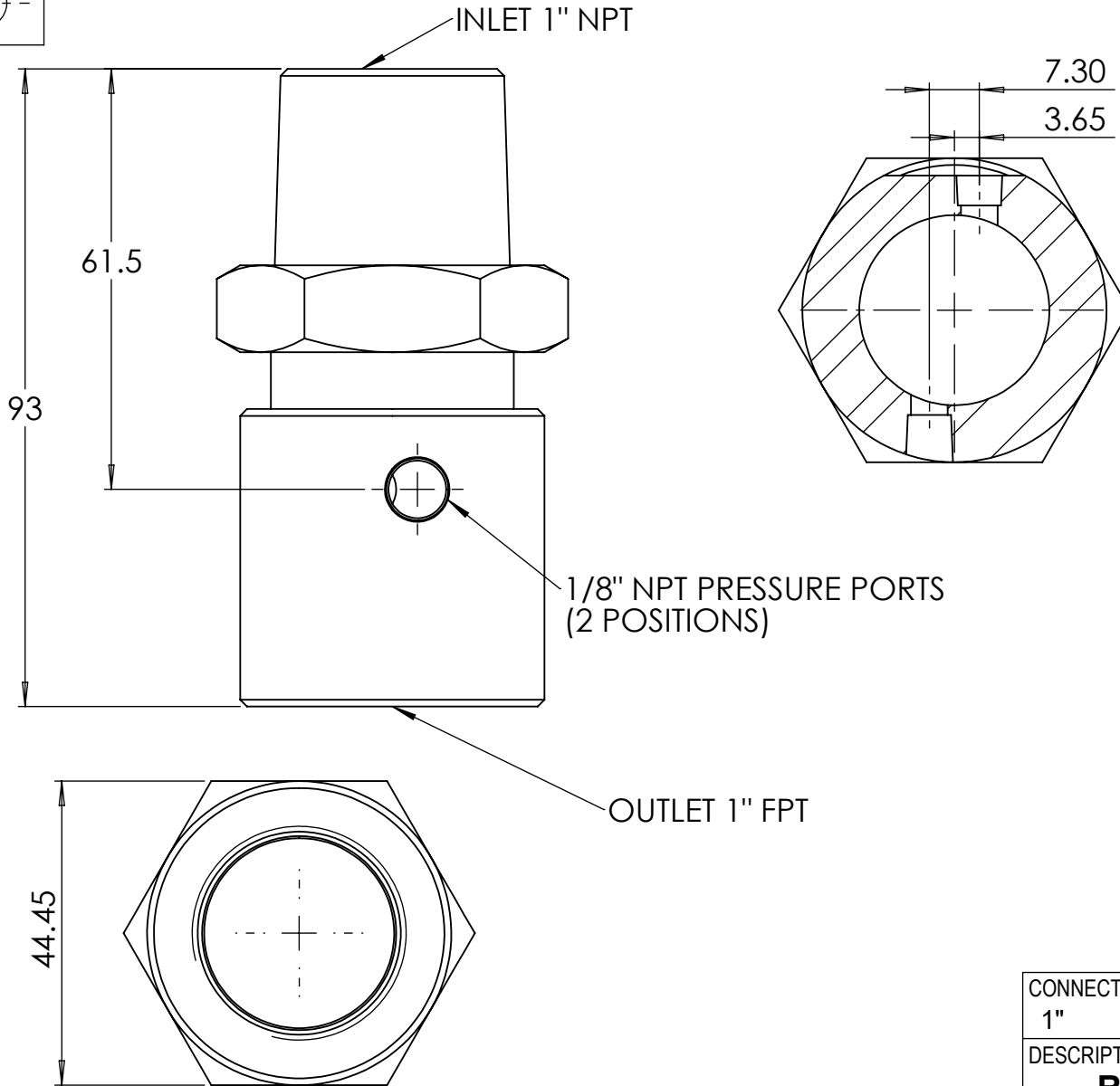





GENERAL TOLERANCES	ALL DIMENSIONS IN mm
NO DECIMAL PLACES = $\pm 1.5$	ANGULAR = $\pm 2^\circ$
ONE DECIMAL PLACE = $\pm 1.0$	ALL UNSPECIFIED
TWO DECIMAL PLACES = $\pm 0.5$	ANGLES SHALL BE $45^\circ$



ISOMETRIC VIEW

**NOTES:**

1. HELIUM LEAK TESTED
2. SET PRESSURE RANGE: 10.3 to 130 barg
3. TEMPERATURE RANGE: -40 TO +427°C
4. UKCA/CE CERTIFICATION: CATEGORY IV

CONNECTION SIZE	MATERIAL	
1"	-	
DESCRIPTION OF EQUIPMENT		
<b>RUPTURE DISK ASSEMBLY</b>		
PART NUMBER	5628	CURRENT ACTIVE REVISION
SCALE	1:1	A
DRAWN	M. Rapach	 <b>HILLINGTON, GLASGOW, UK</b>
DATE	23/2/24	
CUSTOMER DRAWING	DRAWING No.	REVISION
	<b>5628-Cust</b>	<b>A</b>