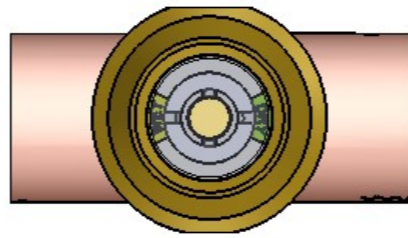
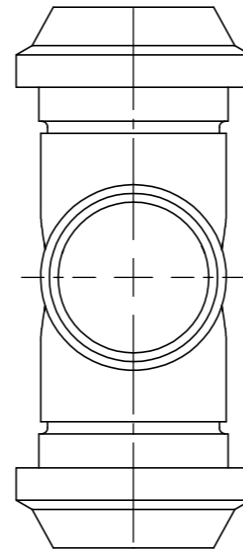
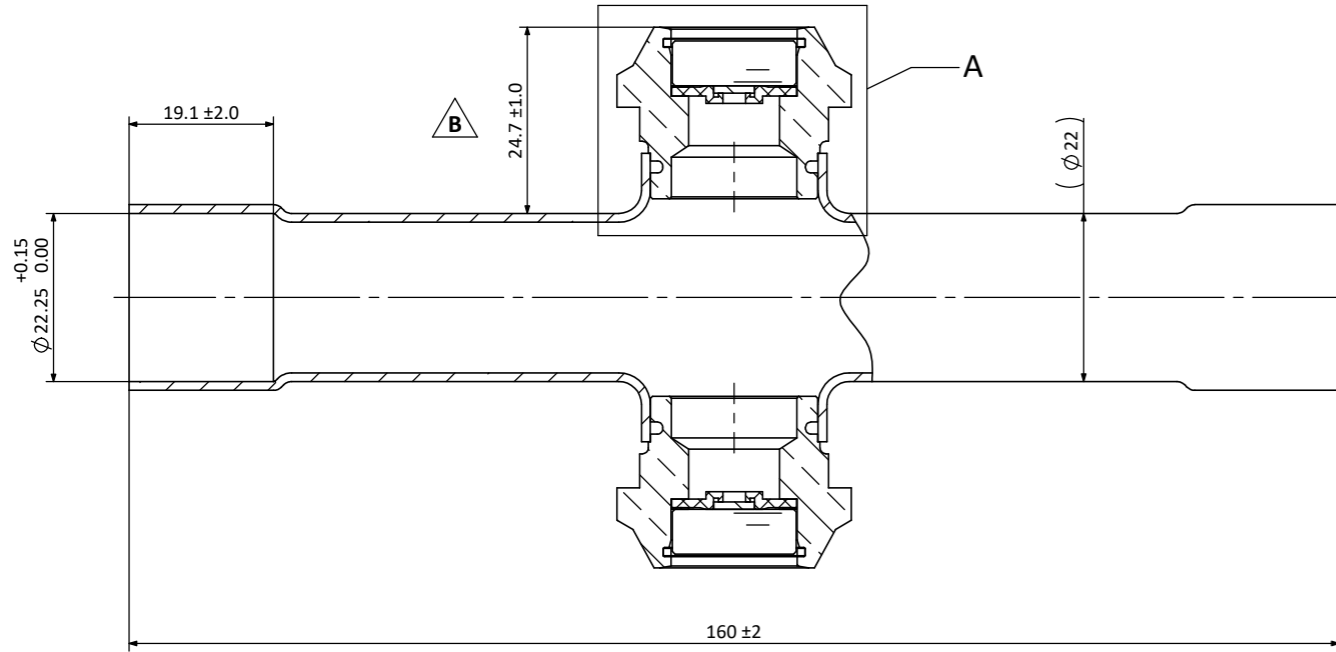


HGI Part No.	
999-675-1414	

REV. 版本	ENC 工程变更通知	Description 变更描述	Name 变更人	Date 变更日期
B	ECN-HT18030	Item 2 to 6 updated, Leak test pressure 6MPa was 5.46MPa, 24.7 was 24.	Nancy Huang	6/22/2018



Label Orientation
标签方向



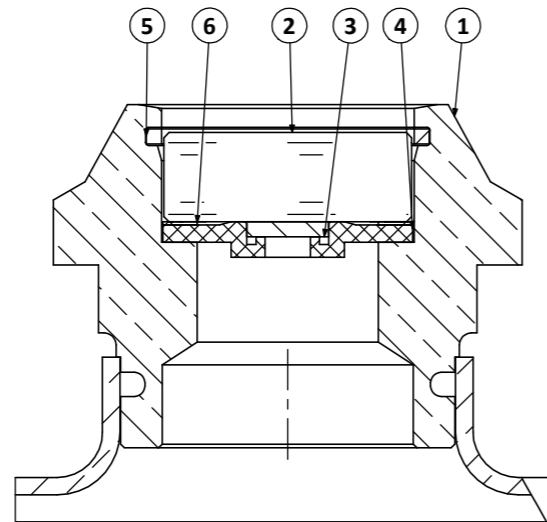
Laser mark Henry logo
激光打印亨利商标

HENRY

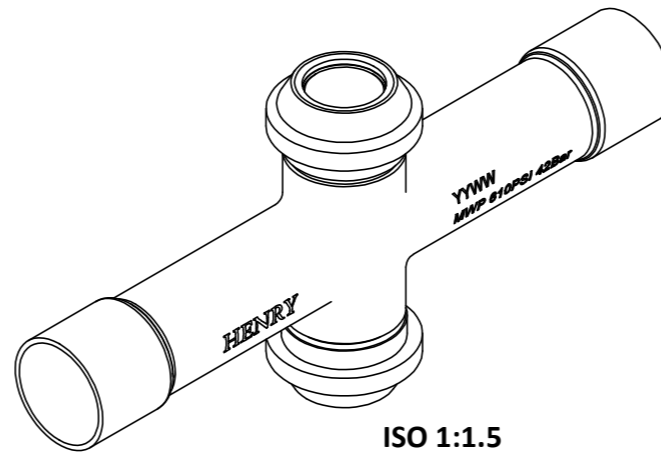
Date code-year and week
生产周期-年和周

YYWW
MWP 610PSI 42Bar

Max Working Pressure: 610PSI (42Bar)
最大工作压力: 610PSI (42Bar)



Detail A
Scale 2 : 1



ISO 1:1.5

Technical Requirements:
技术要求:

- Safe working pressure 4.2MPa;
安全工作压力为4.2MPa;
- Leak test pressure 6MPa;
泄漏测试压力为6MPa;
- Burst pressure 12.6MPa;
爆破压力为12.6MPa;
- Operating temperature range of -50 °C to +85 °C;
操作温度范围为-50 °C ~ +85 °C;
- Use roll form to crimp the glass;
用旋铆缩口方式来铆合镜片;
- No cracks or dirt on roll form surface;
铆合面不得有裂纹夹渣等缺陷;
- Manufacture to AS/NZS 5149.2.
制造标准为 AS/NZS 5149.2.

Item 序号	WMC MMN 孟氏物料编号	HGI Part No. 亨利物料编号	Description 描述	Material 材质	QTY 数量
6	030605016	PL-110-42	Indicator Label 视液镜标签	Paper	2
5	030309005	932-SG-187	Sight Glass Gasket Ø18.7mm 视液镜密封圈	Teflon	2
4	030301002	925-083	Mounting Disc 支架	PA66	2
3	030509191	899-SG-54	Ø 5.4mm Indicator Paper, T=1.0mm 视液镜试纸	Paper	2
2	030509036	899-SG-164	Ø 16.4mm Glass 视液镜片	Soda Glass Toughened	2
1	030501074	744-675-1414H	Sight Glass Sub-Assembly 7/8" (Dual Port) 视液镜组件 7/8" (双视液镜)	Refer Table	1

Description 产品名称		Hermetic Sight Glass Assembly 7/8" (Dual Port) 视液镜装配 7/8" (双视液镜)		
Drawing No. 图纸编号	M030509064	REV 版次	B	
Material Master No. 物料编号	030509064	Drawing Size 图幅	A3	
Material 材质	Refer Table	Sheet Number 页码	1/1	
Attribute 属性	7/8"	Third Angle Projection 第三视角		

Dimensions inside an oval
are critical dimensions
椭圆内尺寸为关键尺寸

Linear Dimensions 线性尺寸 (mm)	0 Decimal Place 整数	1 Decimal Place 1位小数	2 Decimal Place 2位小数	Angular Dimensions 角度尺寸	0 Decimal Place 整数	1 Decimal Place 1位小数	Ra 1.6
		±1.0	±0.2		±0.05		

Tolerance Unless Stated Otherwise
未注尺寸公差

Estimated Weight 预估重量	248.0g
Scale 比例	1:1
Unit 绘图单位	mm

Approved_by 批准	Julian Parker	6/27/2018
Checked_by 审核	Leo Wu	6/27/2018
Drawn_by 绘图	Nancy Huang	6/22/2018

