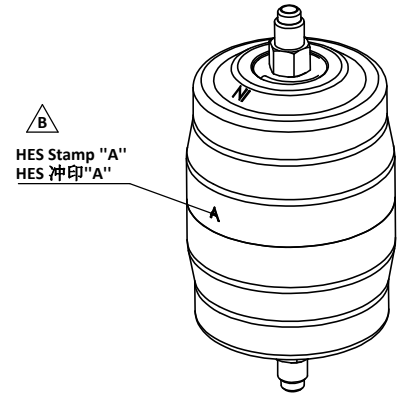
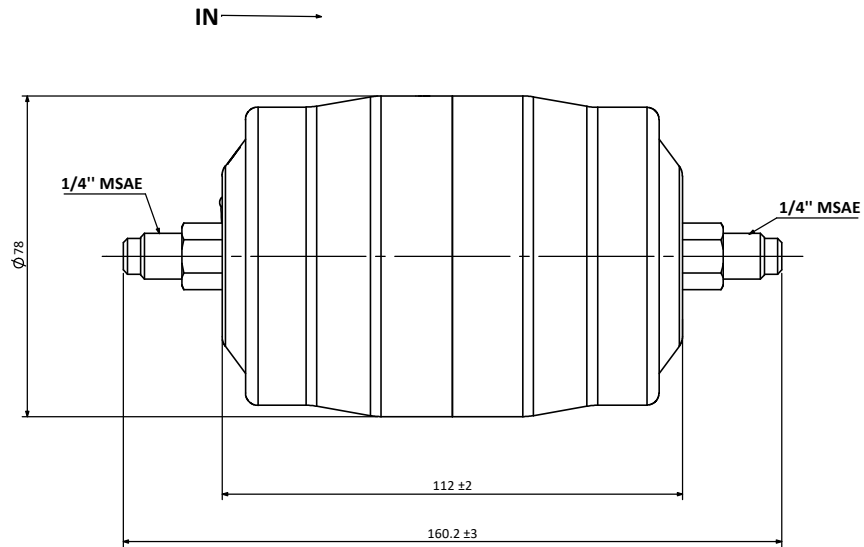
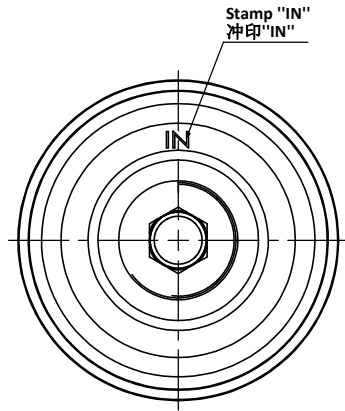


|                  |  |
|------------------|--|
| HGI Part No.     | 31/03/2022 HENRY<br>JTP<br>APPROVED DOCUMENT |
| SDA-162-customer |  |

|  |  |   |                        |                         |                             |
|--|--|---|------------------------|-------------------------|-----------------------------|
| <input checked="" type="checkbox"/> PED 2014/68/EU | <input checked="" type="checkbox"/> AS2971.2 | <input checked="" type="checkbox"/> UL207 |                        |                         |                             |
| <input type="checkbox"/> CAT I                     | <input type="checkbox"/> CAT II              | <input type="checkbox"/> CAT III          |                        |                         |                             |
| Volume Ltrs  | Shell ID mm                                  | Design Pressure MPa                       | Leak Test Pressure MPa | Proof Test Pressure MPa | Min Burst Test Pressure MPa |
| 0.5  | N/A  | 4.5                                       | 4.5                    | 4.5                     | 22.5                        |

| REV. 版本 | ECN 工程变更通知  | Description 变更描述 | Name 变更人    | Date 变更日期 |
|---------|-------------|------------------|-------------|-----------|
| B       | ECN-HT22002 | Add Stamp "A"    | Angel Zhang | 2022.3.16 |



**Technical Requirements:**

**技术要求**

1. Allowable operating temperature -40°C to +100°C;  
工作温度-40°C到+100°C;
2. Powder coating: Henry Blue, RAL 5013;  
喷涂颜色: 亨利蓝色, RAL 5013.

|                          |   |                             |     |
|--------------------------|---|-----------------------------|-----|
| Description 产品名称         | Liquid Line Filter Drier 1/4" MSAE<br>干燥过滤器 1/4" MSAE |                             |     |
| Drawing No. 图纸编号         | M050505420  | REV 版次                      | B   |
| Material Master No. 物料编号 | 050505420   | Drawing Size 图幅             | A3  |
| Material 材质              | Refer Table   | Sheet Number 页码             | 1/1 |
| Attribute 属性             | 1/4" MSAE   | Third Angle Projection 第三视角 |     |

| Linear Dimensions<br>线性尺寸 (mm)              | 0 Decimal Place | 1 Decimal Place | 2 Decimal Place | Angular Dimensions<br>角度尺寸 | 0 Decimal Place | 1 Decimal Place | Estimated Weight<br>预估重量 | N/A |
|---|-----------------|-----------------|-----------------|----------------------------|-----------------|-----------------|--------------------------|-----|
|   | 整数              | 1位小数            | 2位小数            |                            | 整数              | 1位小数            |                          |     |
|   | ±1.0            | ±0.2            | ±0.05           |                            | ±2°             | ±0.5°           |                          |     |
| Tolerance Unless Stated Otherwise<br>未注尺寸公差 |                 |                 |                 |                            |                 |                 |                          |     |
|   |                 |                 |                 |                            |                 |                 | Scale 比例                 | 1:2 |
|   |                 |                 |                 |                            |                 |                 | Unit 绘图单位                | mm  |

|                |               |           |
|----------------|---------------|-----------|
| Approved_by 批准 | Julian Parker | 2022/3/28 |
| Checked_by 审核  | Leo Wu        | 2022/3/28 |
| Drawn_by 绘图    | Angel Zhang   | 2022/3/28 |

