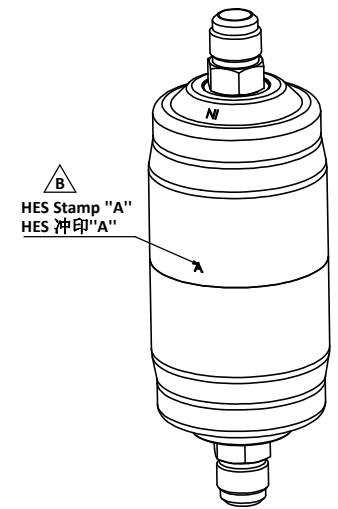
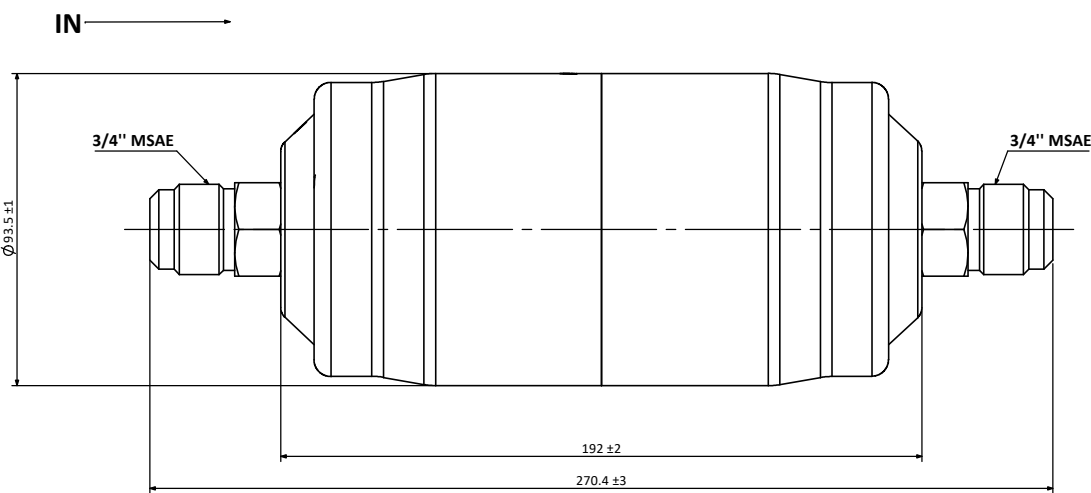
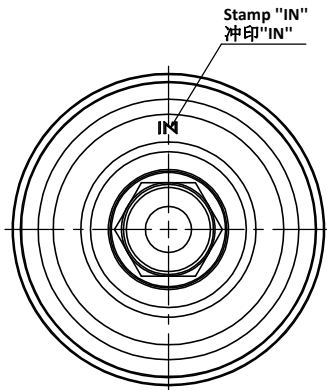


| | | | | | | | | | | |
|------------------|-------------|--|------------------------|---|-----------------------------|---------|-------------|------------------|-------------|-----------|
| HGI Part No. | | 07/04/2022 HENRY JTP APPROVED DOCUMENT | | <input checked="" type="checkbox"/> PED 2014/68/EU <input checked="" type="checkbox"/> AS2971.2 <input checked="" type="checkbox"/> UL207 | | REV. 版本 | ECN 工程变更通知 | Description 变更描述 | Name 变更人 | Date 变更日期 |
| SDA-416-customer | | | | <input type="checkbox"/> CAT I <input checked="" type="checkbox"/> CAT II <input type="checkbox"/> CAT III | | B | ECN-HT22002 | Add Stamp "A" | Angel Zhang | 2022.3.18 |
| Volume Ltrs | Shell ID mm | Design Pressure MPa | Leak Test Pressure MPa | Proof Test Pressure MPa | Min Burst Test Pressure MPa | | | | | |
| 1.3 | N/A | 4.5 | 4.5 | 6.44 | 22.5 | | | | | |



Technical Requirements:
技术要求

1. Allowable operating temperature -40°C to +100°C;
工作温度-40°C到+100°C;
2. Powder coating: Henry Blue, RAL 5013;.
喷涂颜色: 亨利蓝色,RAL 5013。

| | | | |
|--------------------------|---|-----------------------------|-----|
| Description 产品名称 | Liquid Line Filter Drier 3/4" MSAE 干燥过滤器 3/4" MSAE | | |
| Drawing No. 图纸编号 | M050505444 | REV 版次 | B |
| Material Master No. 物料编号 | 050505444 | Drawing Size 图幅 | A3 |
| Material 材质 | Refer Table | Sheet Number 页码 | 1/1 |
| Attribute 属性 | 3/4" MSAE | Third Angle Projection 第三视角 | |
| Approved_by 批准 | Julian Parker | 2022/3/28 | |
| Checked_by 审核 | Leo Wu | 2022/3/28 | |
| Drawn_by 绘图 | Angel Zhang | 2022/3/28 | |

| | | | | | | | | | | | | | |
|---|-----------------------|-------------------------|-------------------------|----------------------------|-----------------------|-------------------------|--------|--------------------------|-----|-------------|-----|--------------|----|
| Linear Dimensions 线性尺寸 (mm) | 0 Decimal Place 整数 | 1 Decimal Place 1位小数 | 2 Decimal Place 2位小数 | Angular Dimensions 角度尺寸 | 0 Decimal Place 整数 | 1 Decimal Place 1位小数 | Ra 1.6 | Estimated Weight 预估重量 | N/A | Scale 比例 | 1:5 | Unit 绘图单位 | mm |
| | ±1.0 | ±0.2 | ±0.05 | | ±2° | ±0.5° | | | | | | | |
| Tolerance Unless Stated Otherwise 未注尺寸公差 | | | | | | | | | | | | | |