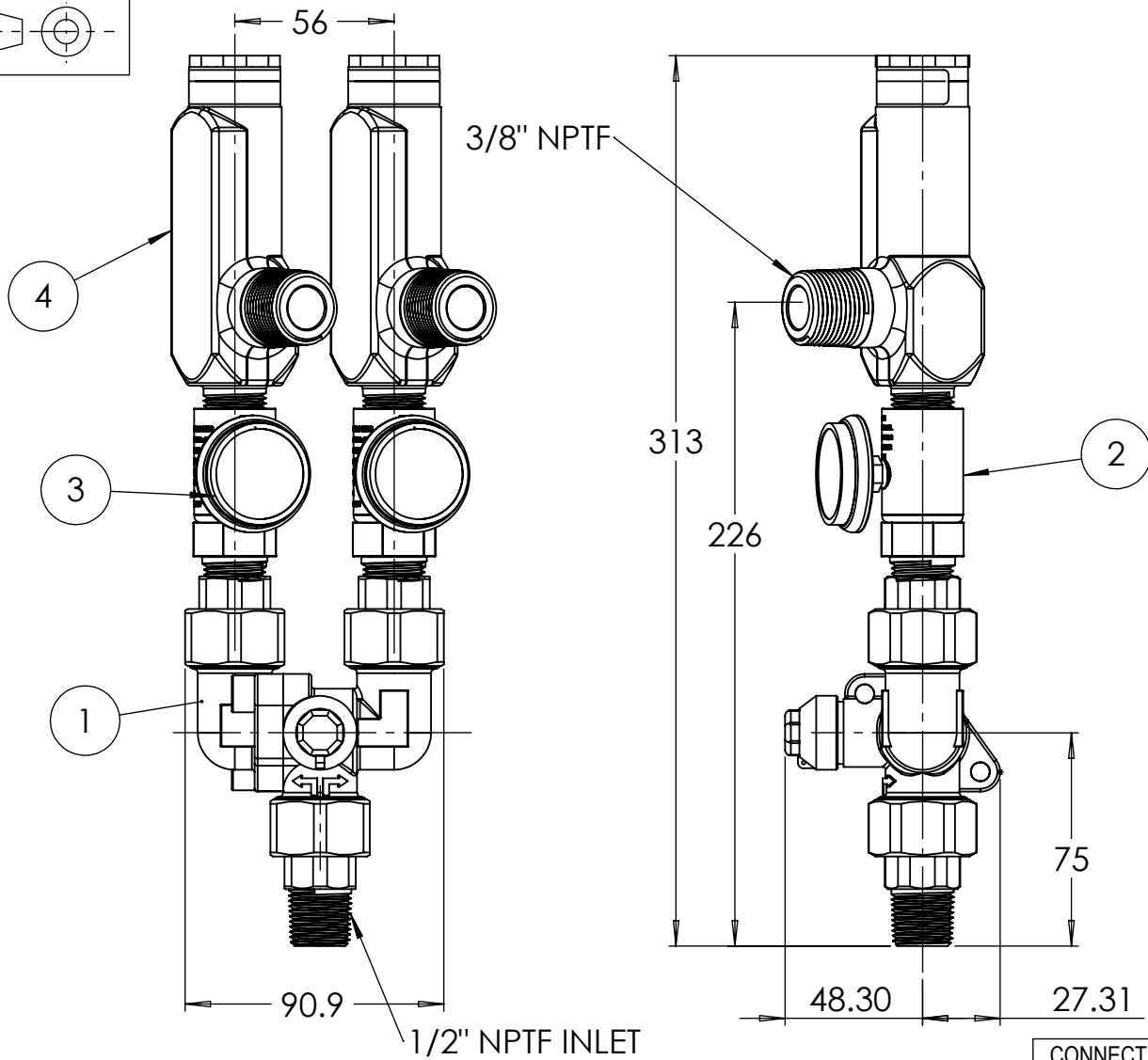


GENERAL TOLERANCES	ALL DIMENSIONS IN mm
NO DECIMAL PLACES = ±1.5	ANGULAR = ±2°
ONE DECIMAL PLACE = ±1.0	ALL UNSPECIFIED
TWO DECIMAL PLACES = ±0.5	ANGLES SHALL BE 45°



NOTES:
 -UKCA & CE Certified
 -MWP: 130 Barg
 -Temperature Use Range: -40 to +150°C

ITEM NO.	PART NUMBER	DESCRIPTION	QTY.	CONNECTION SIZE	MATERIAL
				-	-
				DESCRIPTION OF EQUIPMENT	
				SAFETY DEVICE KIT	
1	935MR	3/8" THREE WAY DUAL SHUT OFF VALVE	1	PART NUMBER SDK2H1-xx.x BAR	CURRENT ACTIVE REVISION A
2	5626	RUPTURE VALVE ASSEMBLY	2	SCALE 2:5	
3	G20	PRESSURE GAUGE	2	DRAWN M. Rapach	
4	5701AX	HIGH PRESSURE X SERIES	2	DATE 26/2/24	
				CUSTOMER DRAWING	DRAWING No. SDK2H1-xx.x BAR-Cust REVISION A