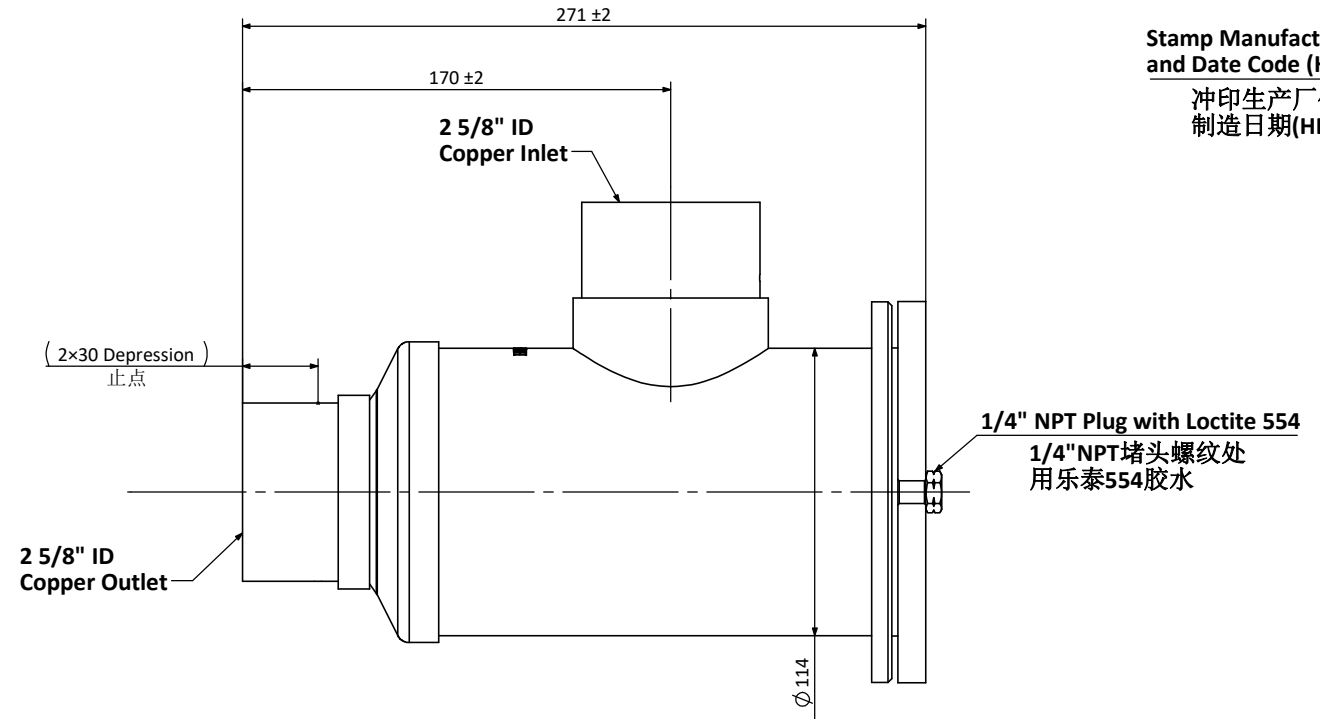
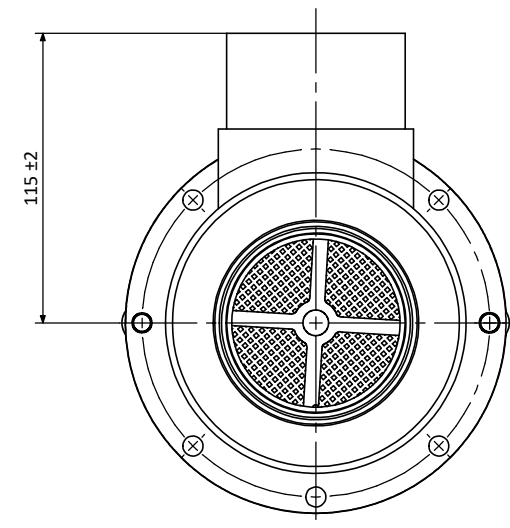


HGI Part No.
SRC-4821-customer

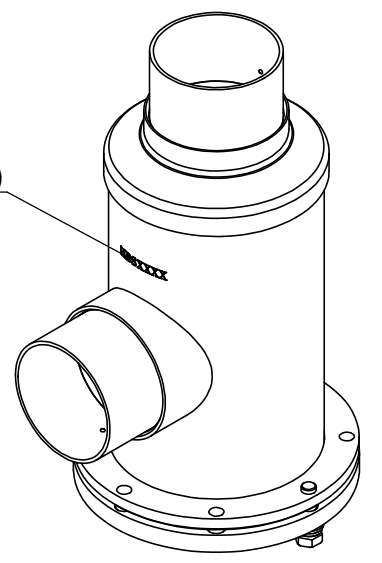
11/02/2022 HENRY
JTP
APPROVED DOCUMENT

<input checked="" type="checkbox"/> PED 2014/68/EU	<input checked="" type="checkbox"/> AS2971.2	<input checked="" type="checkbox"/> UL207			
<input type="checkbox"/> CAT I	<input checked="" type="checkbox"/> CAT II				
Volume Ltrs	Shell ID mm	Design Pressure MPa	Leak Test Pressure MPa	Proof Test Pressure MPa	Min Burst Test Pressure MPa
1.7	φ108	4.2	4.2	6.0	21.0

REV. 版本	ECN 工程变更通知	Description 变更描述	Name 变更人	Date 变更日期



Stamp Manufactory Code and Date Code (HESXXXX)
冲印生产厂代码和制造日期(HESXXXX)



Technical Requirements:
技术要求:

- Allowable operating temperature -40°C to +70°C;
工作温度: -40°C to +70°C;
- Powder coating: Henry Blue, RAL5013;
喷涂颜色: 亨利蓝色, RAL5013;
- Bolt pack must be packed with unit in carton.
螺栓包必须随箱包装。

Description 产品名称	Replaceable Core Filter Drier Shell 2 5/8" ID 可换滤芯干燥过滤筒 2 5/8" ID		
Drawing No. 图纸编号	M050505510	REV 版次	A
Material Master No. 物料编号	050505510	Drawing Size 图幅	A3
Material 材质	N/A	Sheet Number 页码	1/1
Attribute 属性	2 5/8" ID	Third Angle Projection 第三视角	

Linear Dimensions 线性尺寸 (mm)	0 Decimal Place	1 Decimal Place	2 Decimal Place	Angular Dimensions 角度尺寸	0 Decimal Place	1 Decimal Place	Ra 1.6	Estimated Weight 预估重量	N/A	Approved_by 批准	Julian Parker	2021/12/16
	±1.0	±0.2	±0.05		±2°	±0.5°		Scale 比例				
Tolerance Unless Stated Otherwise 未注尺寸公差								Unit 绘图单位	mm	Drawn_by 绘图	Qiu Leixin	2021/12/16

