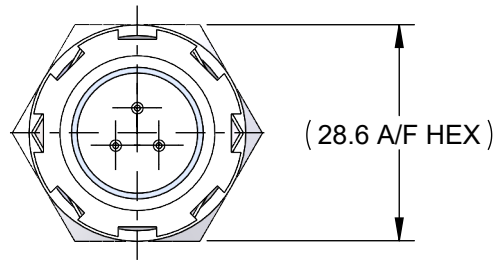
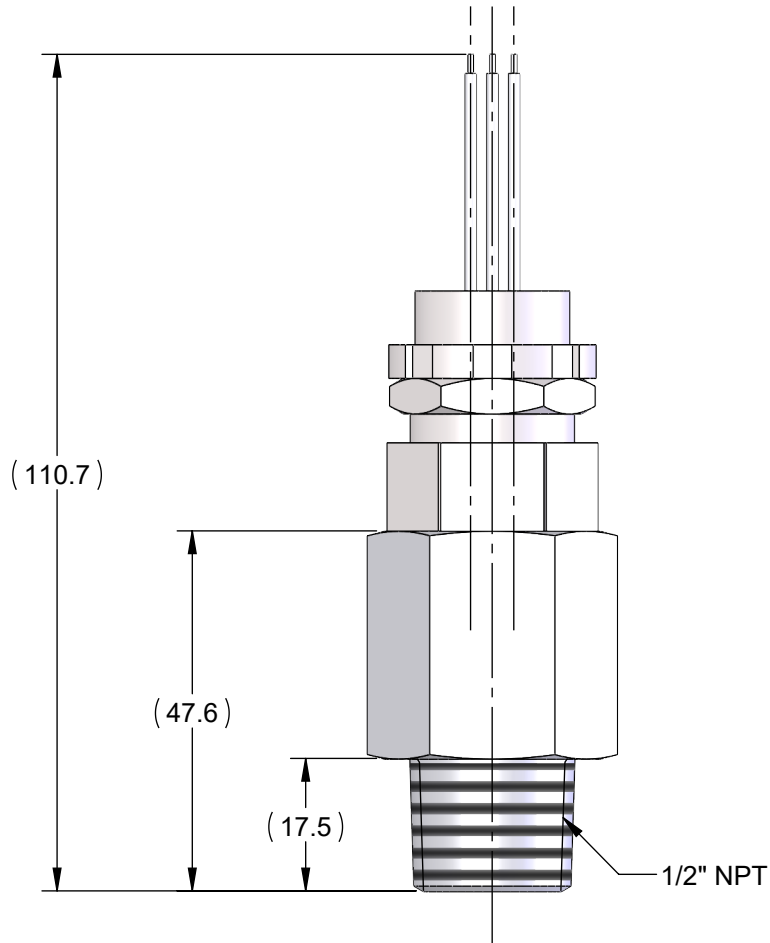
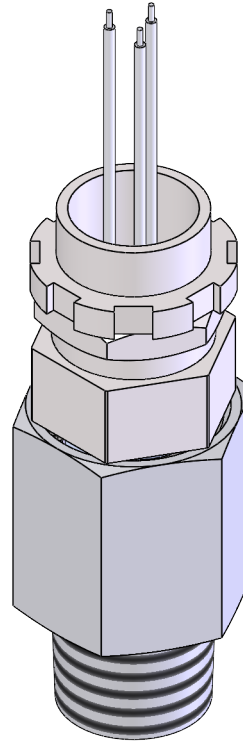



GENERAL TOLERANCES	ALL DIMENSIONS IN mm
NO DECIMAL PLACES = ±1.5	ANGULAR = ±2°
ONE DECIMAL PLACE = ±1.0	ALL UNSPECIFIED
TWO DECIMAL PLACES = ±0.5	ANGLES SHALL BE 45°



LEVEL SWITCH PARAMETERS:

Level Switch Number: ST-9400-1
 Allowable Operating Pressure: 0 to 140 barg
 Allowable Operating Temperature: -40°C to +99°C
 Voltage: 120V 50/60Hz
 Resistive Rating: 0.5 Amp
 Contact Liquid Present: Closed
 Wire Code Colour: Yellow & White
 Replacement Module/Kit: 2-044-012
 Certification: CE
 UKCA
 COPE
 EMC



CONNECTION SIZE 1/2" NPT	MATERIAL
DESCRIPTION OF EQUIPMENT 120V Level Switch	
PART NUMBER ST-9400-1	CURRENT ACTIVE REVISION B
SCALE 1:1	
DRAWN R.Mulholland	
DATE 23/01/26	
CUSTOMER DRAWING	DRAWING No. ST-9400-1-Cust
	REVISION A