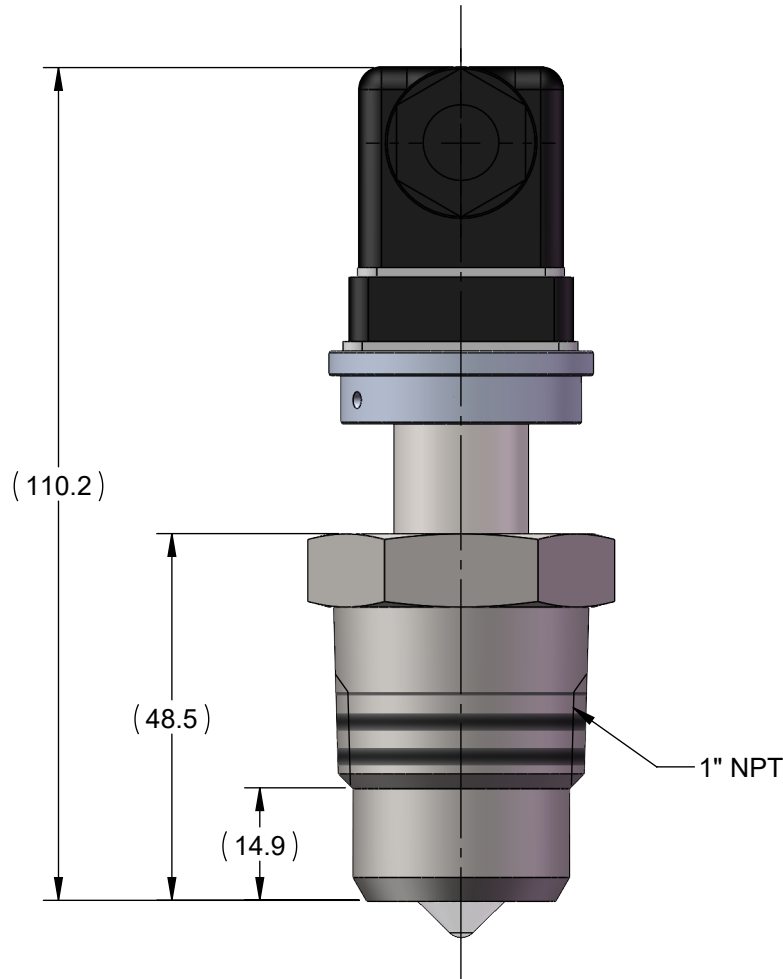



LEVEL SWITCH PARAMETERS:

Level Switch Number: ST-9420DN-1
 Allowable Operating Pressure: 0 to 140 barg
 Allowable Operating Temperature: -40°C to +99°C
 Voltage: 208/240V 50/60Hz
 Resistive Rating: 0.25 Amp
 Contact Liquid Present: Closed
 Wire Code Colour: Red & White
 Replacement Module/Kit: A4863
 Certification: CE
 UKCA
 COPE
 EMC



GENERAL TOLERANCES	ALL DIMENSIONS IN mm
NO DECIMAL PLACES = ±1.5	ANGULAR = ±2°
ONE DECIMAL PLACE = ±1.0	ALL UNSPECIFIED
TWO DECIMAL PLACES = ±0.5	ANGLES SHALL BE 45°

CONNECTION SIZE 1" NPT	MATERIAL
DESCRIPTION OF EQUIPMENT 240V Level Switch	
PART NUMBER ST-9420DN-1	CURRENT ACTIVE REVISION B
SCALE 1:1	
DRAWN R.Mulholland	
DATE 23/01/26	
CUSTOMER DRAWING	DRAWING No. ST-9420DN-1-Cust
	REVISION A