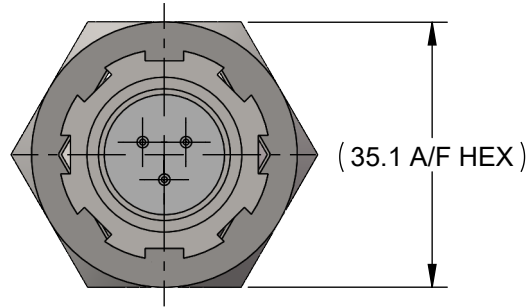
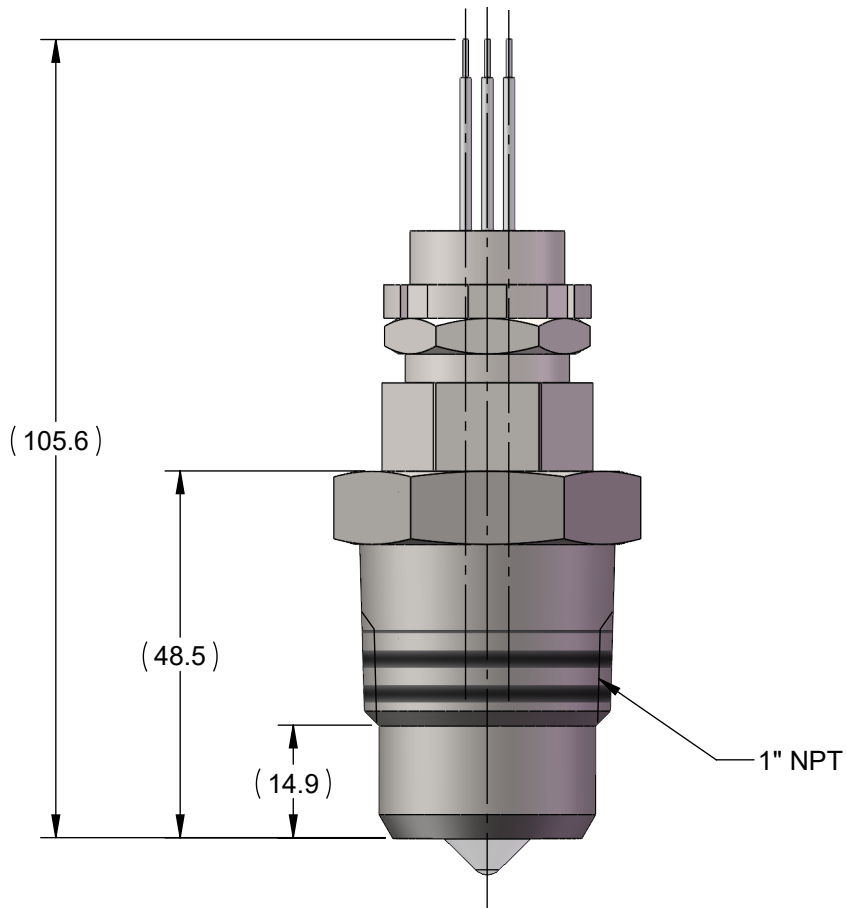
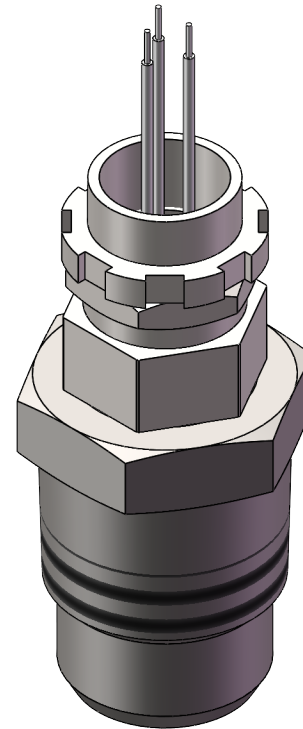



GENERAL TOLERANCES	ALL DIMENSIONS IN mm
NO DECIMAL PLACES = ±1.5	ANGULAR = ±2°
ONE DECIMAL PLACE = ±1.0	ALL UNSPECIFIED
TWO DECIMAL PLACES = ±0.5	ANGLES SHALL BE 45°



**LEVEL SWITCH PARAMETERS:**

Level Switch Number: ST-9424-1  
 Allowable Operating Pressure: 0 to 140 barg  
 Allowable Operating Temperature: -40°C to +99°C  
 Voltage: 24V AC/DC  
 Resistive Rating: 0.5 Amp  
 Contact Liquid Present: Closed  
 Wire Code Colour: Orange & White  
 Replacement Module/Kit: 2-044-013  
 Certification: CE  
 UKCA  
 COPE  
 EMC



CONNECTION SIZE	MATERIAL	
1" NPT		
DESCRIPTION OF EQUIPMENT	<b>24V Level Switch</b>	
PART NUMBER	ST-9424-1	CURRENT ACTIVE REVISION B
SCALE	1:1	
DRAWN	R.Mulholland	
DATE	23/01/26	
CUSTOMER DRAWING	DRAWING No. <b>ST-9424-1-Cust</b>	REVISION <b>A</b>