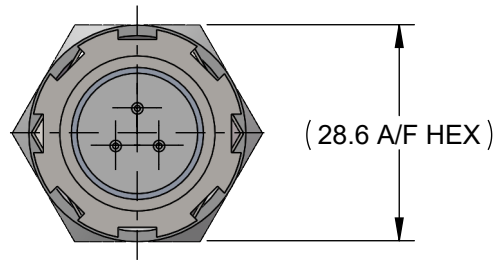


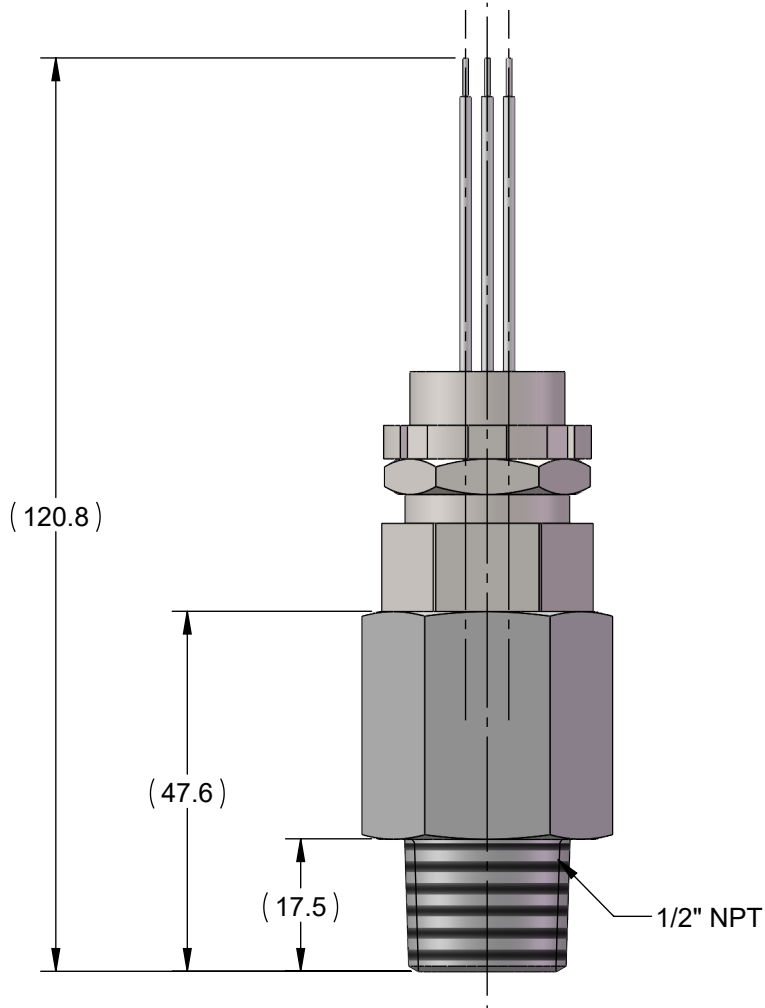
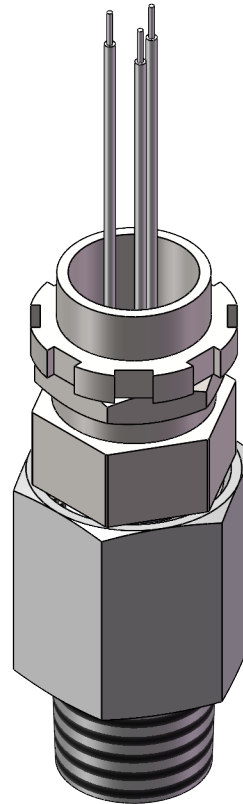
GENERAL TOLERANCES	ALL DIMENSIONS IN mm
NO DECIMAL PLACES = ±1.5	ANGULAR = ±2°
ONE DECIMAL PLACE = ±1.0	ALL UNSPECIFIED
TWO DECIMAL PLACES = ±0.5	ANGLES SHALL BE 45°




**LEVEL SWITCH PARAMETERS:**

Level Switch Number: ST-9424  
 Allowable Operating Pressure: 0 to 140 barg  
 Allowable Operating Temperature: -40°C to +99°C  
 Voltage: 24V AC/DC  
 Resistive Rating: 0.5 Amp  
 Contact Liquid Present: Closed  
 Wire Code Colour: Orange & White  
 Replacement Module/Kit: A4414 (UK)  
 2-044-013 (USA)

Certification: CE  
 UKCA  
 COPE  
 EMC



CONNECTION SIZE 1/2" NPT	MATERIAL
DESCRIPTION OF EQUIPMENT <b>24V. AC/DC Level Switch</b>	
PART NUMBER ST-9424	CURRENT ACTIVE REVISION B
SCALE 1:1	 <b>HENRY</b> <b>HILLINGTON, GLASGOW, UK</b>
DRAWN R.Mulholland	
DATE 23/01/26	
CUSTOMER DRAWING	DRAWING No. <b>ST-9424-Cust</b>
	REVISION <b>A</b>