

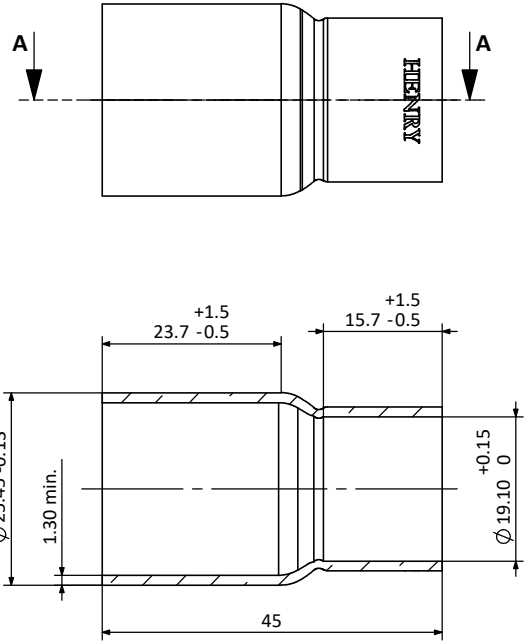
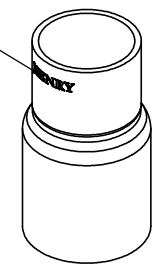


HGI Part No.	05/09/2022  JTP  APPROVED DOCUMENT
1004-1612	

REV. 版本	ECN 工程变更通知	Description 变更描述	Name 变更人	Date 变更日期



Stamping "HENRY"
Font:AGaramond LT Bold
Height:2mm
冲印"HENRY"
字体:AGaramond LT Bold
字高:2mm

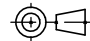


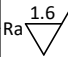
Section A-A

Technical requirements:

技术要求:

- Copper tube must comply with ASTM B280 or AS 1432-1966 99.90% min Cu and min P of 0.015% and 0.040% max;
铜管必须符合ASTM B280 或AS 1432-1966标准,最小含铜量99.90%, 最小磷含量0.015%, 最大磷含量0.04%;
- Maximum of 1% ovality acceptable for the connection pockets;
承接口处椭圆度≤1%;
- Parts need to be branded according to logo requirement;
零件需按要求打印商标;
- No sharp edges or shoulders. All changes in shape must be with a smooth and suitable radius for maximum strength;
没有飞边和毛刺, 所有形状改变的地方必须是平滑的并且适用于最大强度;
- Minimum Wall thickness is the minimum wall thickness anywhere within the fitting after forming;
最小壁厚是指成型后任意位置的壁厚;
- Material certificates must be supplied each batch;
每批产品需提供材质分析报告;

Description 产品名称	Copper Coupling 1" OD x 3/4" ID 直通 1" OD x 3/4" ID		
Drawing No. 图纸编号	M040201021	REV 版次	A
Material Master No. 物料编号	040201021	Drawing Size 图幅	A4
Material 材质	TP2(C12200)	Sheet Number 页码	1/1
Attribute 属性	1" OD x 3/4" ID	Third Angle Projection 第三视角	

Linear Dimensions 线性尺寸	0 Decimal Place 整数	1 Decimal Place 1位小数	2 Decimal Place 2位小数	Angular Dimensions 角度尺寸	0 Decimal Place 整数	1 Decimal Place 1位小数	Ra 1.6 	Estimated Weight 预估重量	37.14g		
	±1.0	±0.2	±0.05		±2°	±0.5°		Scale 比例	1:1	Unit 绘图单位	mm
Tolerance Unless Stated Otherwise 未注尺寸公差									Approved_by 批准	Julian Parker	2022/8/12
									Checked_by 审核	Leo Wu	2022/8/12
									Drawn_by 绘图	Qiu Leixin	2022/8/12



A

B

C

D