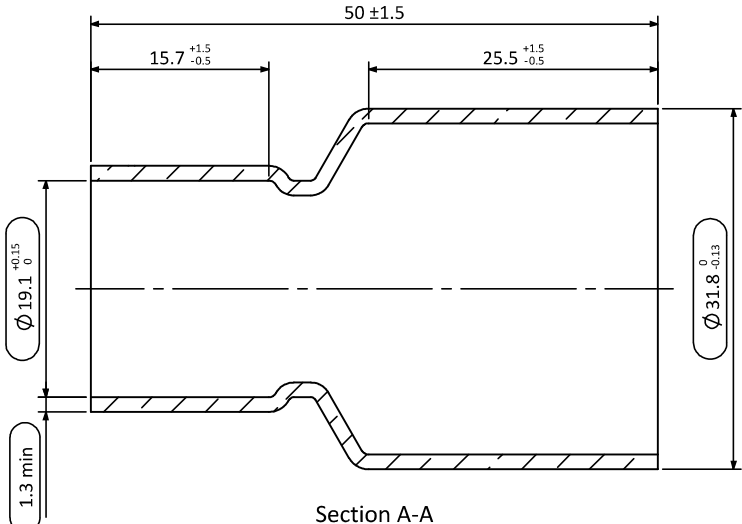
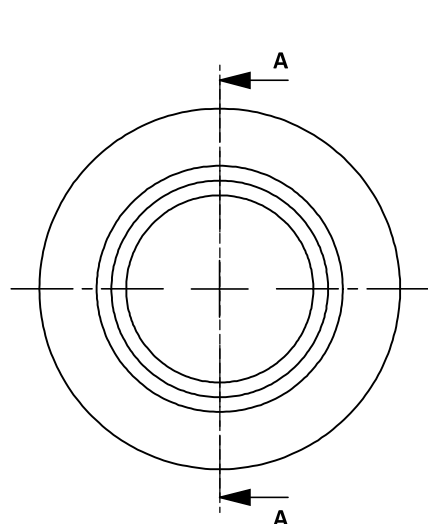


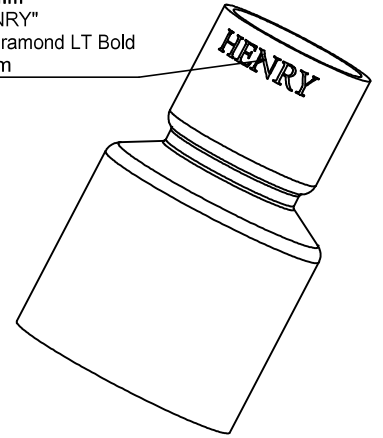
HGI Part No. 1004-2012

24/09/2019 HENRY JTP APPROVED DOCUMENT

REV. 版本	ECN 工程变更通知	Description 变更描述	Name 变更人	Date 变更日期
B	ECN-HT16014	Meet The Real Samples Change	Willder Chen	2016/04/08



Stamping "HENRY"
 Font: AGaramond LT Bold
 Height: 3mm
 冲印 "HENRY"
 字体: AGaramond LT Bold
 字高: 3mm



Technical requirements:

- 技术要求:
- Copper tube must comply with ASTM B280 or AS 1432-1966 99.90% min Cu and min Ph of 0.015% and 0.040% max;
铜管必须符合 ASTM B280 或 AS 1432-1966 标准, 最小含铜量 99.90%, 最小 Ph 0.015%, 最大 Ph 0.04%;
 - Maximum of 1% ovality acceptable for the connection pockets;
承接口处椭圆度 ≤ 1%;
 - Parts need to be branded according to logo requirement;
零件需按要求打印商标;
 - No sharp edges or shoulders. All changes in shape must be with a smooth and suitable radius for maximum strength;
没有飞边和毛刺, 所有形状改变的地方必须是平滑的并且适用于最大强度;
 - Minimum Wall thickness is the minimum wall thickness anywhere within the fitting after forming;
最小壁厚是指成型后任意位置的壁厚;
 - Material certificates must be supplied each batch;
每批产品需提供材质分析报告;

Description 产品名称	Copper Coupling 1 1/4" OD x 3/4" ID 直通 1 1/4" OD x 3/4" ID		
Drawing No. 图纸编号	M040201038	REV 版次	B
Material Master No. 物料编号	040201038	Drawing Size 图幅	A4
Material 材质	TP2	Sheet Number 页码	1/1
Attribute 属性	1 1/4" OD x 3/4" ID	Third Angle Projection 第三视角	

Dimensions inside an oval are critical dimensions
 椭圆内尺寸为关键尺寸

Linear Dimensions 线性尺寸	0 Decimal Place 整数	1 Decimal Place 1位小数	2 Decimal Place 2位小数	Angular Dimensions 角度尺寸	0 Decimal Place 整数	1 Decimal Place 1位小数	Ra 1.6	Estimated Weight 预估重量	50.23g
	±1.0	±0.2	±0.05		±2°	±0.5°		Scale 比例	1.5:1
Tolerance Unless Stated Otherwise 未注尺寸公差									

Approved_by 批准	Julian Parker	2019/09/19
Checked_by 审核	Leo Wu	2019/09/19
Drawn_by 绘图	Zhou Lei	2019/09/18

