

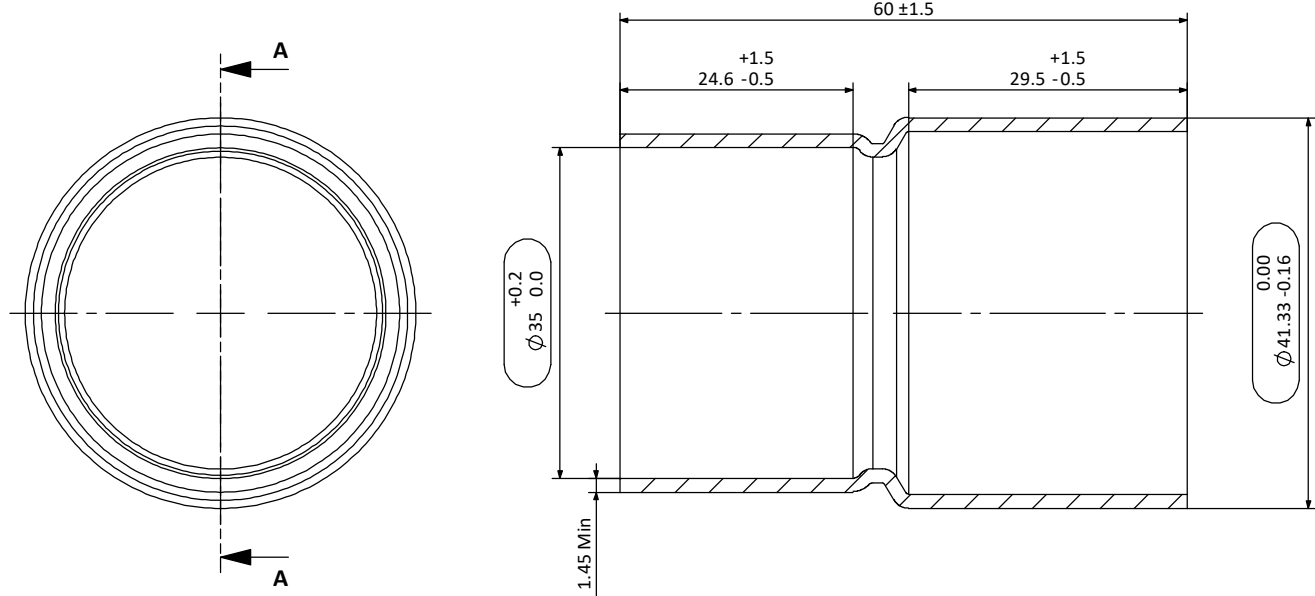
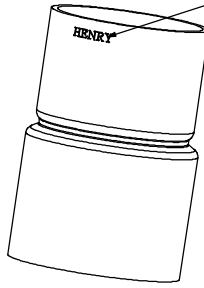
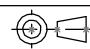



A		B				C			D						
HGI Part No.	09/08/2018  JTP  APPROVED DOCUMENT	REV. 版本	ENC 工程变更通知	Description 变更描述		Name 变更人	Date 变更日期								
1004-2622															
					Stamping "HENRY" Font :AGaramond LT Bold 冲印"HENRY" 字体: AGaramond LT Bold										
<b>Technical requirements:</b> 技术要求: <ol style="list-style-type: none"> <li>Copper tube must comply with ASTM B280 or AS 1432-1966 99.90% min Cu and min Ph of 0.015% and 0.040% max; 铜管必须符合ASTM B280 或AS 1432-1966标准,最小含铜量99.90%, 最小Ph 0.015%, 最大Ph0.04%;</li> <li>Maximum of 1% ovality acceptable for the connection pockets; 承接口处椭圆度≤1%;</li> <li>Parts need to be branded according to logo requirement; 零件需按要求打印商标;</li> <li>No sharp edges or shoulders. All changes in shape must be with a smooth and suitable radius for maximum strength; 没有飞边和毛刺, 所有形状改变的地方必须是平滑的并且适用于最大强度;</li> <li>Minimum Wall thickness is the minimum wall thickenss anywhere within the fitting after forming; 最小壁厚是指成型后任意位置的壁厚。</li> </ol>		<b>Description</b> 产品名称 <b>Copper Coupling 1 5/8" OD x 1 3/8" ID</b> 直通 1 5/8"ODx1 3/8" ID			<b>Drawing No.</b> 图纸编号 M040201063		<b>REV</b> 版次 A								
		<b>Material Master No.</b> 物料编号 040201063			<b>Drawing Size</b> 图幅 A4										
		<b>Material</b> 材质 TP2			<b>Sheet Number</b> 页码 1/1										
		<b>Attribute</b> 属性 1 5/8"ODx1 3/8"ID			<b>Third Angle Projection</b> 第三视角 										
<b>Linear Dimensions</b> 线性尺寸		<b>0 Decimal Place</b> 整数 ±1.0	<b>1 Decimal Place</b> 1位小数 ±0.2	<b>2 Decimal Place</b> 2位小数 ±0.05	<b>Angular Dimensions</b> 角度尺寸	<b>0 Decimal Place</b> 整数 ±2°	<b>1 Decimal Place</b> 1位小数 ±0.5°	<b>Estimated Weight</b> 预估重量 96 g	<b>Scale</b> 比例 1:1	<b>Unit</b> 绘图单位 mm	<b>Approved_by</b> 批准 Julian Parker 2018/8/9	<b>Checked_by</b> 审核 Leo Wu 2018/8/9	<b>Drawn_by</b> 绘图 Reuben Fan 2018/8/9		
<b>Tolerance Unless Stated Otherwise</b> 未注尺寸公差															