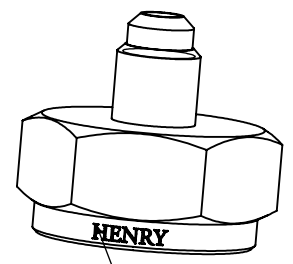
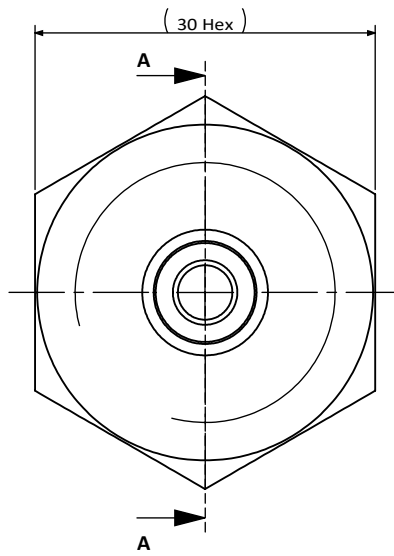
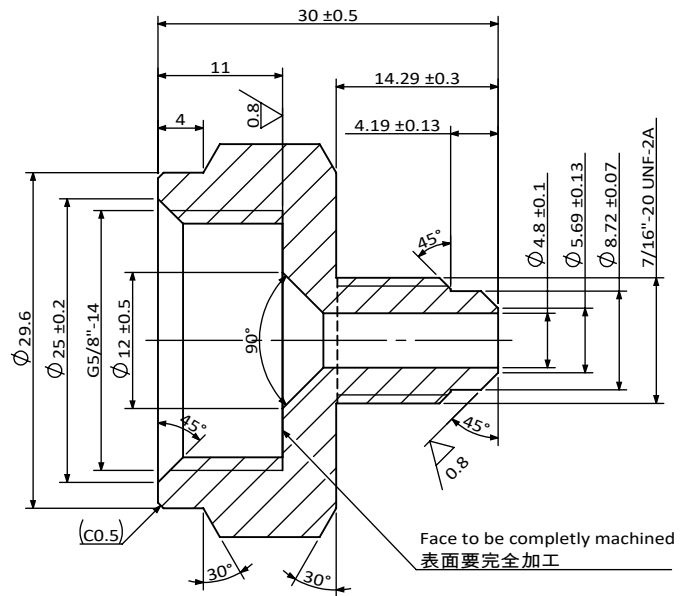


HGI Part No.
20-0410

17/06/2020 HENRY
JTP
APPROVED DOCUMENT

REV. 版本	ENC 工程变更通知	Description 变更描述	Name 变更人	Date 变更日期



Brand "HENRY"
Font:AGaramond LT Bold
Size:2mm
冲印"HENRY"
字体:AGaramond LT Bold
字高:2mm

Technical Requirement:
技术要求:

- All edges free of burr or flash; 不能有毛刺和飞边;
- Surface should be clean and no rust(except oil stain); 表面应干净无生锈(油渍除外)
- Material certificates must be supplied each batch; 每批产品需提供材质分析报告;
- Unspecified geometric tolerance according to ISO 2768-K; 未注形位公差参照ISO-2768-K执行;
- Where is not specified,the thread must be within 1 pitch from the hex shoulder; 除有特殊说明,螺纹到六角端面的距离应在1个螺距内;
- To ensure the Logo is clear, the size of the opposite side of the hexagon shall not be smaller than the OD of the place stamped Logo; 为确保标识清晰,六角对边尺寸不能小于冲印标识处的外径;
- Supply with fibre washer,part No.:040209001. 提供纤维垫圈,图号:040209001.

Dimensions inside an oval are critical dimensions
椭圆内尺寸为关键尺寸

Description 产品名称	Cylinder Adaptor 1/4" MSAE × 5/8" FBSPP 接头 1/4" MSAE × 5/8" FBSPP		
Drawing No. 图纸编号	M040202003	REV 版次	A
Material Master No. 物料编号	040202003	Drawing Size 图幅	A4
Material 材质	HPb59-1	Sheet Number 页码	1/1
Attribute 属性	1/4" MSAE × 5/8" FBSPP	Third Angle Projection 第三视角	

Linear Dimensions 线性尺寸	0 Decimal Place 整数	1 Decimal Place 1位小数	2 Decimal Place 2位小数	Angular Dimensions 角度尺寸	0 Decimal Place 整数	1 Decimal Place 1位小数	Ra 1.6	Estimated Weight 预估重量	73.52g	
	±1.0	±0.2	±0.05		±2°	±0.5°		Scale 比例	1.5:1	
Tolerance Unless Stated Otherwise 未注尺寸公差								Unit 绘图单位	mm	
								Approved_by 批准	Julian Parker	2020/06/16
								Checked_by 审核	Leo Wu	2020/06/16
								Drawn_by 绘图	Zhou Lei	2020/06/11

