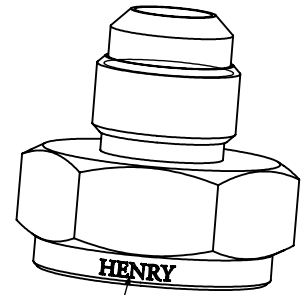
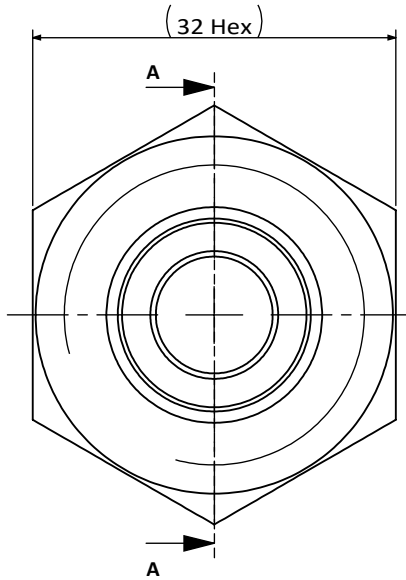
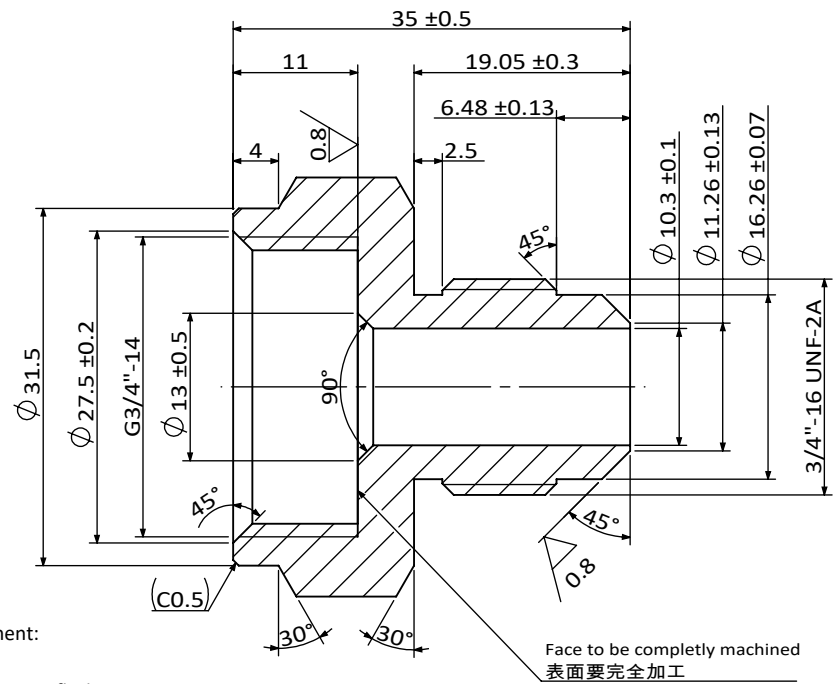


HGI Part No.
20-0812

17/06/2020 HENRY
JTP
APPROVED DOCUMENT

| REV. 版本 | ENC 工程变更通知 | Description 变更描述 | Name 变更人 | Date 变更日期 |
|---------|------------|------------------|----------|-----------|
| | | | | |
| | | | | |
| | | | | |



Brand "HENRY"
Font:AGaramond LT Bold
Size:2mm
冲印"HENRY"
字体:AGaramond LT Bold
字高:2mm

Technical Requirement:
技术要求:

- All edges free of burr or flash; 不能有毛刺和飞边;
- Surface should be clean and no rust(except oil stain); 表面应干净无生锈(油渍除外)
- Material certificates must be supplied each batch; 每批产品需提供材质分析报告;
- Unspecified geometric tolerance according to ISO 2768-K; 未注形位公差参照ISO-2768-K执行;
- Where is not specified,the thread must be within 1 pitch from the hex shoulder; 除有特殊说明, 螺纹到六角端面的距离应在1个螺距内;
- To ensure the Logo is clear, the size of the opposite side of the hexagon shall not be smaller than the OD of the place stamped Logo; 为确保标识清晰, 六角对边尺寸不能小于冲印标识处的外径;
- Supply with fibre washer,part No.:040309001. 提供纤维垫圈, 图号:040309001.

Face to be completely machined
表面要完全加工

Section A-A

| | | | |
|--------------------------|--|-----------------------------|-----|
| Description 产品名称 | Cylinder Adaptor 1/2" MSAE × 3/4" FBSPP 接头 1/2" MSAE × 3/4" FBSPP | | |
| Drawing No. 图纸编号 | M040202010 | REV 版次 | A |
| Material Master No. 物料编号 | 040202010 | Drawing Size 图幅 | A4 |
| Material 材质 | HPb59-1 | Sheet Number 页码 | 1/1 |
| Attribute 属性 | 1/2" MSAE × 3/4" FBSPP | Third Angle Projection 第三视角 | |

Dimensions inside an oval are critical dimensions
椭圆内尺寸为关键尺寸

| Linear Dimensions 线性尺寸 | 0 Decimal Place 整数 | 1 Decimal Place 1位小数 | 2 Decimal Place 2位小数 | Angular Dimensions 角度尺寸 | 0 Decimal Place 整数 | 1 Decimal Place 1位小数 | Ra 1.6 | Estimated Weight 预估重量 | 93.13g | |
|--|--------------------|----------------------|----------------------|-------------------------|--------------------|----------------------|--------|-----------------------|---------------|------------|
| | ±1.0 | ±0.2 | ±0.05 | | ±2° | ±0.5° | | Scale 比例 | 1.5:1 | Unit 绘图单位 |
| Tolerance Unless Stated Otherwise 未注尺寸公差 | | | | | | | | Approved_by 批准 | Julian Parker | 2020/06/16 |
| | | | | | | | | Checked_by 审核 | Leo Wu | 2020/06/16 |
| | | | | | | | | Drawn_by 绘图 | Zhou Lei | 2020/06/11 |

