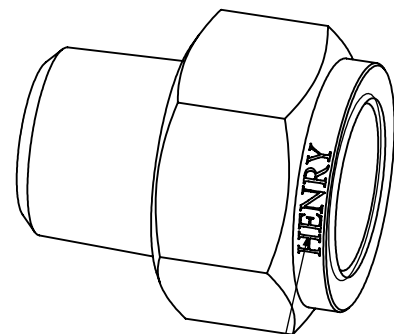
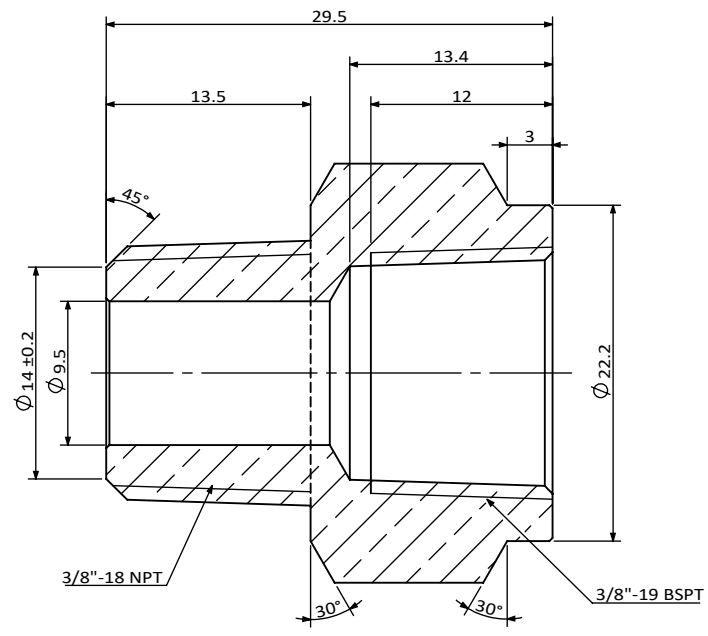
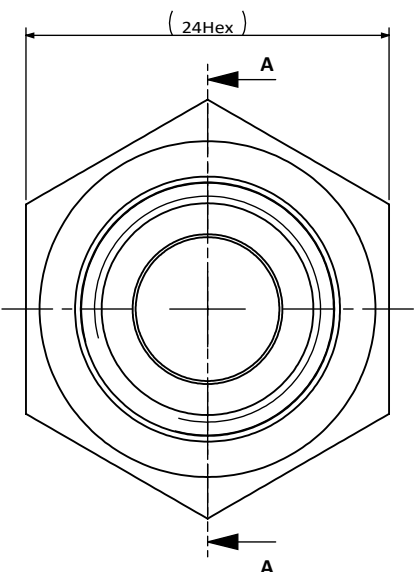


HGI Part No.	03/07/2020 HENRY JTP <i>silke</i> APPROVED DOCUMENT
209-0606	

REV. 版本	ECN 工程变更通知	Description 变更描述	Name 变更人	Date 变更日期



Brand "HENRY"  
Font:AGaramond LT Bold  
冲印"HENRY"  
字体:AGaramond LT Bold

Section A-A

Technical Requirement:  
技术要求:

- All edges free of burr or flash;  
不能有毛刺和飞边;
- Surface should be clean and no rust(except oil stain);  
表面应干净无生锈(油渍除外)
- Material certificates must be supplied each batch;  
每批产品需提供材质分析报告;
- Unspecified geometric tolerance according to ISO 2768-K;  
未注形位公差参照ISO-2768-K执行;
- Where is not specified,the thread must be within 1 pitch from the hex shoulder;  
除有特殊说明,螺纹到六角端面的距离应在1个螺距内;
- To ensure the Logo is clear, the size of the opposite side of the hexagon shall not be smaller than the OD of the place stamped Logo.  
为确保标识清晰,六角对边尺寸不能小于冲印标识处的外径。

Description 产品名称	Union 3/8" MNPT X 3/8" FBSP 接头 3/8" MNPT X 3/8" FBSP		
Drawing No. 图纸编号	M040202194	REV 版次	B
Material Master No. 物料编号	040202194	Drawing Size 图幅	A4
Material 材质	HPb59-1	Sheet Number 页码	1/1
Attribute 属性	3/8" MNPT X 3/8" FBSP	Third Angle Projection 第三视角	

Linear Dimensions 线性尺寸	0 Decimal Place 整数	1 Decimal Place 1位小数	2 Decimal Place 2位小数	Angular Dimensions 角度尺寸	0 Decimal Place 整数	1 Decimal Place 1位小数	Ra 1.6	Estimated Weight 预估重量	60.87g
	±1.0	±0.2	±0.05		±2°	±0.5°		Scale 比例	2:1
Tolerance Unless Stated Otherwise 未注尺寸公差								Unit 绘图单位	mm

Approved_by 批准	Julian Parker	2020/06/28	
Checked_by 审核	Leo Wu	2020/06/28	
Drawn_by 绘图	Zhou Lei	2020/06/22	