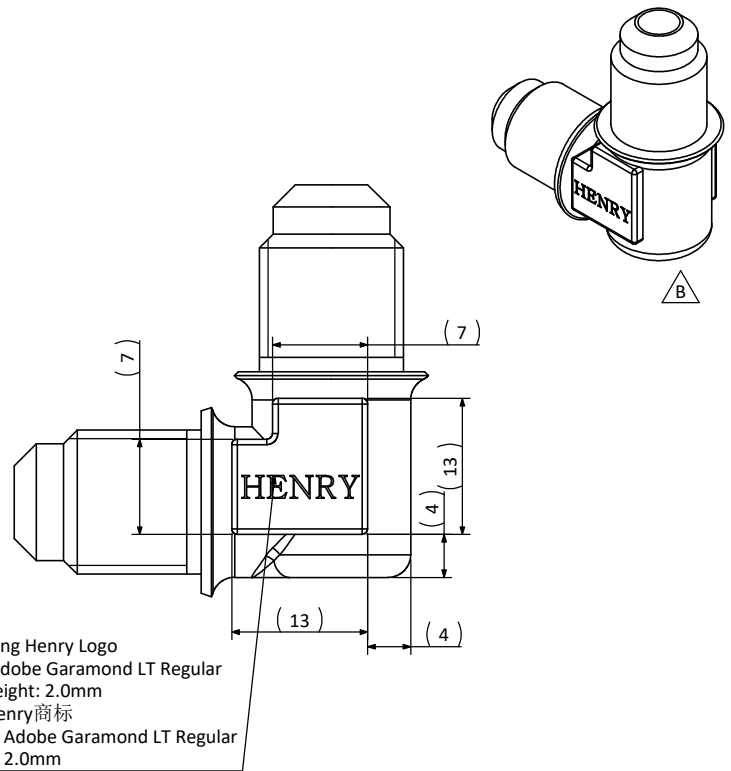
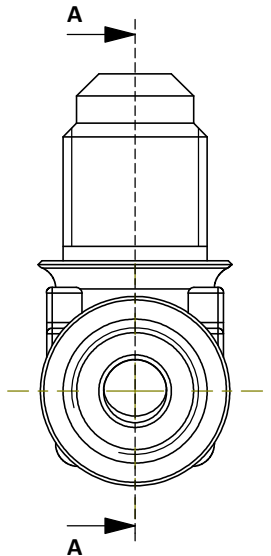
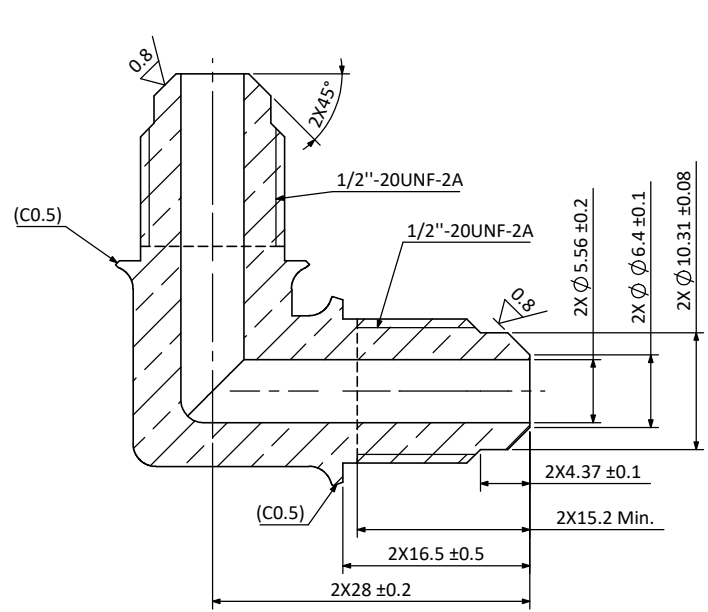


HGI Part No.	
300-0505	

REV. 版本	ECN 工程变更通知	Description 变更描述	Name 变更人	Date 变更日期
B	ECN-HT20021	Change the shape of the part according to the 300-0606F	Angel Zhang	2020.4.20



- Technical Requirement:**  
技术要求:
- All edges free of burr or flash;  
不能有毛刺和飞边;
  - Surface should be clean and no rust(except oil stain);  
表面应干净无生锈(油渍除外);
  - Material certificates must be supplied each batch;  
每批产品需提供材质分析报告;
  - Unspecified geometric tolerance according to ISO 2768-K.  
未注形位公差参照ISO-2768-K执行。
  - Make from forging:300-0606F;  
用300-0606F毛坯制造;
  - Where is not specified,the thread must be within 1 thread pitch from the hex shoulder.  
除有特别说明,螺纹到端面的距离应在一个螺距内。

Dimensions inside an oval are critical dimensions  
椭圆内尺寸为关键尺寸

Description 产品名称	Elbow 5/16" MSAE x 5/16" MSAE 弯头 5/16" MSAE x 5/16" MSAE		
Drawing No. 图纸编号	M040202296	REV 版次	B
Material Master No. 物料编号	040202296	Drawing Size 图幅	A4
Material 材质	HPb59-1	Sheet Number 页码	1/1
Attribute 属性	N/A	Third Angle Projection 第三视角	

Linear Dimensions 线性尺寸	0 Decimal Place 整数	1 Decimal Place 1位小数	2 Decimal Place 2位小数	Angular Dimensions 角度尺寸	0 Decimal Place 整数	1 Decimal Place 1位小数	Ra 1.6 	Estimated Weight 预估重量	53.84g
	±1.0	±0.2	±0.05		±2°	±0.5°		Scale 比例	2:1
Tolerance Unless Stated Otherwise 未注尺寸公差								Unit 绘图单位	mm

Approved_by 批准	Julian Parker	2020/4/24
Checked_by 审核	Leo Wu	2020/4/24
Drawn_by 绘图	Angel Zhang	2020/4/10

