

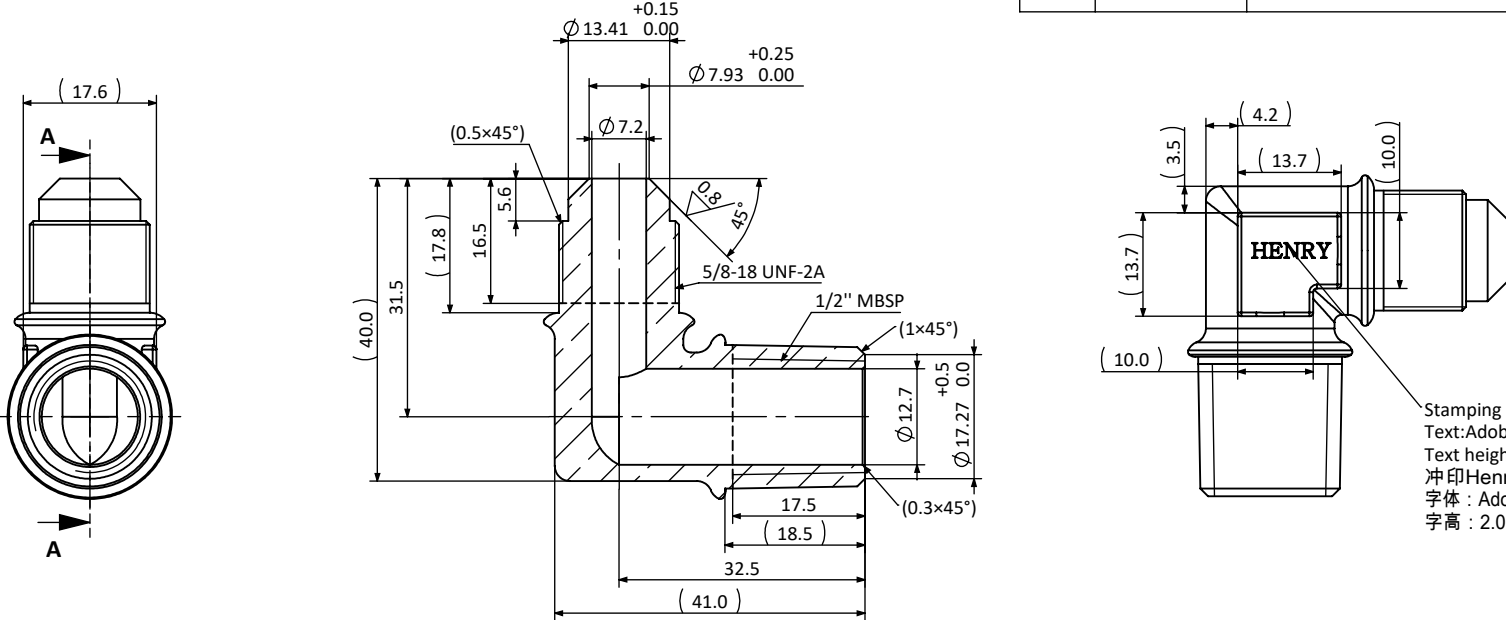
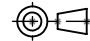
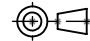
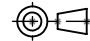





A		B			C			D																																					
HGI Part No.	08/01/2019  HENRY JTP  APPROVED DOCUMENT			REV. 版本	ENC 工程变更通知	Description 变更描述	Name 变更人	Date 变更日期																																					
302-0608																																													
 <p>Technical Requirement: 技术要求:</p> <ol style="list-style-type: none"> <li>All edges free of burr or flash; 不能有毛刺和飞边;</li> <li>Surface should be clean and no rust(except oil stain); 表面应干净无生锈(油渍除外)</li> <li>Material certificates must be supplied each batch; 每批产品需提供材质分析报告;</li> <li>Unspecified geometric tolerance according to ISO 2768-K. 未注形位公差参照ISO-2768-K执行。</li> <li>Make from forging:300-0808F; 用300-0808F毛坯制造。</li> </ol>				A-A		<p>Stamping Henry Logo Text:Adobe Garamond LT Regular Text height:2.0mm 冲印Henry商标 字体: Adobe Garamond LT Regular 字高: 2.0mm</p>																																							
<p>Technical Requirement: 技术要求:</p> <ol style="list-style-type: none"> <li>All edges free of burr or flash; 不能有毛刺和飞边;</li> <li>Surface should be clean and no rust(except oil stain); 表面应干净无生锈(油渍除外)</li> <li>Material certificates must be supplied each batch; 每批产品需提供材质分析报告;</li> <li>Unspecified geometric tolerance according to ISO 2768-K. 未注形位公差参照ISO-2768-K执行。</li> <li>Make from forging:300-0808F; 用300-0808F毛坯制造。</li> </ol>				A-A		<table border="1"> <thead> <tr> <th>Description 产品名称</th> <th colspan="3">Elbow 3/8 MSAE × 1/2 MBSP 弯头 3/8 MSAE × 1/2 MBSP</th> </tr> </thead> <tbody> <tr> <td>Drawing No. 图纸编号</td> <td>M040202321</td> <td>REV 版次</td> <td>A</td> </tr> <tr> <td>Material Master No. 物料编号</td> <td>040202321</td> <td>Drawing Size 图幅</td> <td>A4</td> </tr> <tr> <td>Material 材质</td> <td>HPb59-1</td> <td>Sheet Number 页码</td> <td>1/1</td> </tr> <tr> <td>Attribute 属性</td> <td>N/A</td> <td>Third Angle Projection 第三视角</td> <td></td> </tr> </tbody> </table>			Description 产品名称	Elbow 3/8 MSAE × 1/2 MBSP 弯头 3/8 MSAE × 1/2 MBSP			Drawing No. 图纸编号	M040202321	REV 版次	A	Material Master No. 物料编号	040202321	Drawing Size 图幅	A4	Material 材质	HPb59-1	Sheet Number 页码	1/1	Attribute 属性	N/A	Third Angle Projection 第三视角																		
Description 产品名称	Elbow 3/8 MSAE × 1/2 MBSP 弯头 3/8 MSAE × 1/2 MBSP																																												
Drawing No. 图纸编号	M040202321	REV 版次	A																																										
Material Master No. 物料编号	040202321	Drawing Size 图幅	A4																																										
Material 材质	HPb59-1	Sheet Number 页码	1/1																																										
Attribute 属性	N/A	Third Angle Projection 第三视角																																											
<table border="1"> <thead> <tr> <th rowspan="2">Linear Dimensions 线性尺寸</th> <th>0 Decimal Place 整数</th> <th>1 Decimal Place 1位小数</th> <th>2 Decimal Place 2位小数</th> <th rowspan="2">Angular Dimensions 角度尺寸</th> <th>0 Decimal Place 整数</th> <th>1 Decimal Place 1位小数</th> <th rowspan="2">Ra 1.6</th> <th>Estimated Weight 预估重量</th> <th>82.57g</th> <th>Approved_by 批准</th> <th>Julian Parker</th> <th>1/2/2019</th> <th rowspan="4">  </th> </tr> <tr> <th>±1.0</th> <th>±0.2</th> <th>±0.05</th> <th>±2°</th> <th>±0.5°</th> <th>Scale 比例</th> <th>1:1</th> <th>Checked_by 审核</th> <th>Leo Wu</th> <th>1/2/2019</th> </tr> </thead> <tbody> <tr> <td colspan="8">Tolerance Unless Stated Otherwise 未注尺寸公差</td> <th>Unit 绘图单位</th> <td>mm</td> <th>Drawn_by 绘图</th> <td>Cai Wangwang</td> <td>1/2/2019</td> </tr> </tbody> </table>				Linear Dimensions 线性尺寸	0 Decimal Place 整数	1 Decimal Place 1位小数	2 Decimal Place 2位小数	Angular Dimensions 角度尺寸	0 Decimal Place 整数	1 Decimal Place 1位小数	Ra 1.6	Estimated Weight 预估重量	82.57g	Approved_by 批准	Julian Parker	1/2/2019		±1.0	±0.2	±0.05	±2°	±0.5°	Scale 比例	1:1	Checked_by 审核	Leo Wu	1/2/2019	Tolerance Unless Stated Otherwise 未注尺寸公差								Unit 绘图单位	mm	Drawn_by 绘图	Cai Wangwang	1/2/2019	<p>Dimensions inside an oval are critical dimensions 椭圆内尺寸为关键尺寸</p>				
Linear Dimensions 线性尺寸	0 Decimal Place 整数	1 Decimal Place 1位小数	2 Decimal Place 2位小数		Angular Dimensions 角度尺寸	0 Decimal Place 整数	1 Decimal Place 1位小数		Ra 1.6	Estimated Weight 预估重量		82.57g	Approved_by 批准	Julian Parker	1/2/2019																														
	±1.0	±0.2	±0.05	±2°		±0.5°	Scale 比例	1:1		Checked_by 审核	Leo Wu	1/2/2019																																	
Tolerance Unless Stated Otherwise 未注尺寸公差								Unit 绘图单位	mm	Drawn_by 绘图	Cai Wangwang	1/2/2019																																	