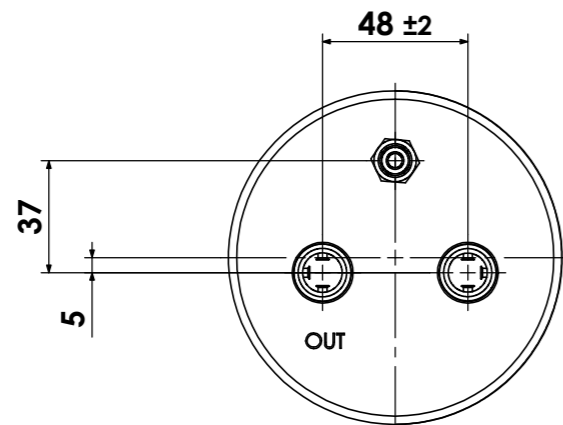
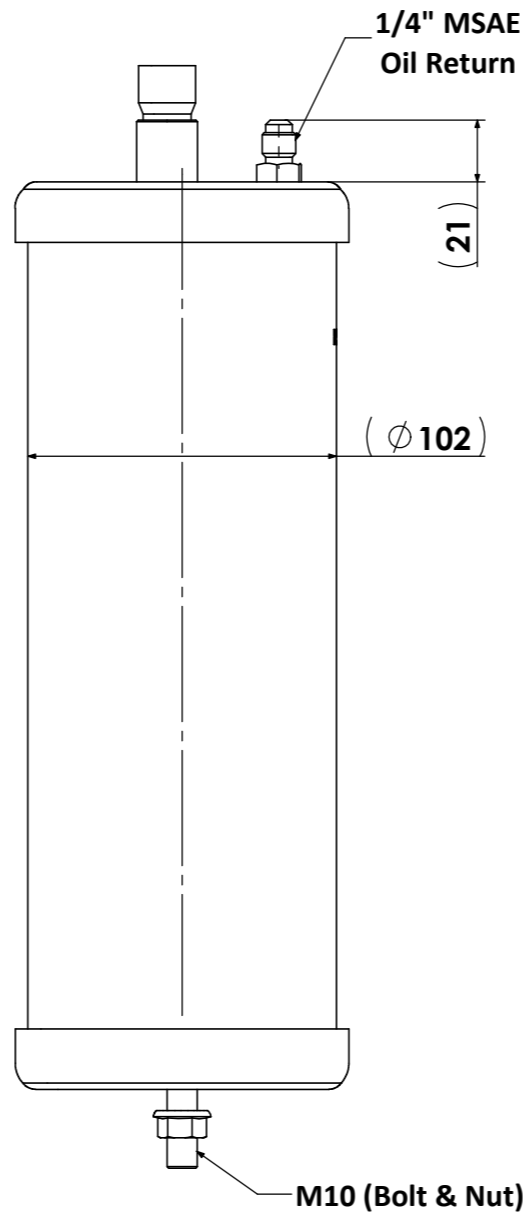
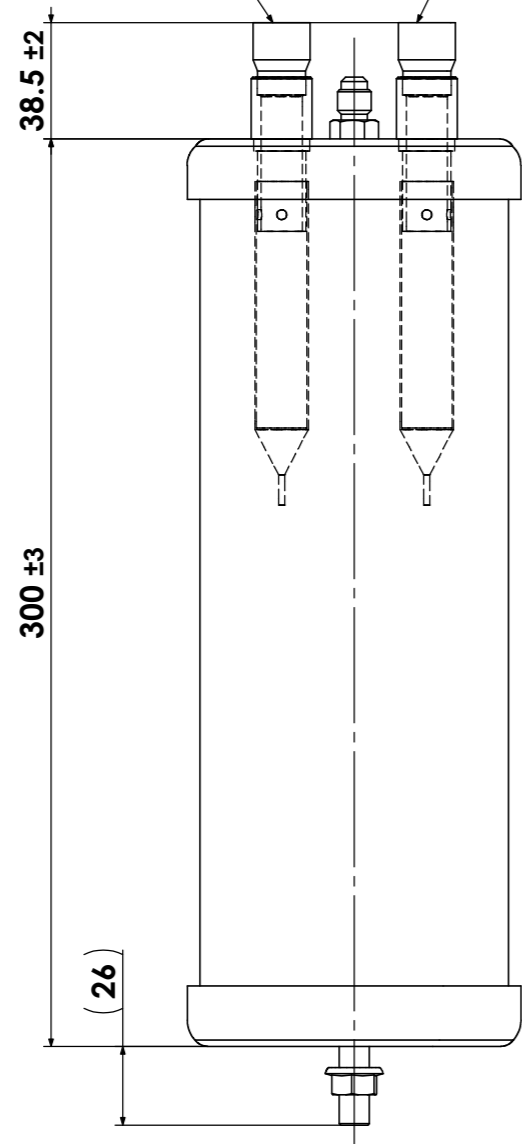


|  |  |  |             |             |                     |                        |                         |                             |          |           |
|--|--|--|-------------|-------------|---------------------|------------------------|-------------------------|-----------------------------|----------|-----------|
| HGI Part No.<br>3210-6410-1 / 4-customer | 09/10/2019 HENRY<br>JTP<br>APPROVED DOCUMENT | <input checked="" type="checkbox"/> PED 2014/68/EU <input checked="" type="checkbox"/> AS2971.2 <input type="checkbox"/> UL207 |             |             |                     | REV. 版本                | ECN 工程变更通知              | Description 变更描述            | Name 变更人 | Date 变更日期 |
|  |  | <input type="checkbox"/> CAT I <input checked="" type="checkbox"/> CAT II  | Volume Ltrs | Shell ID mm | Design Pressure MPa | Leak Test Pressure MPa | Proof Test Pressure MPa | Min Burst Test Pressure MPa |          |           |
|  |  | 2.03   | Ø97         | 3.2         | 3.2                 | 4.6                    | 14.08                   |                             |          |           |



5/8" ODS Copper Outlet      5/8" ODS Copper Inlet



Stamp manufactory code and date code  
冲印工厂代码和制造日期



ISO 1:3

**Technical Requirements:**  
技术要求

1. Allowable operating temperature -10°C to +130°C;  
工作温度-10°C到+130°C;
2. Powder coating: Henry Blue RAL 5013.  
喷涂颜色: 亨利蓝RAL 5013.

|                          |   |                             |     |
|--------------------------|---|-----------------------------|-----|
| Description 产品名称         | Oil Separator 5/8" ID x 1/4" MSAE<br>油分离器 5/8" ID x 1/4" MSAE |                             |     |
| Drawing No. 图纸编号         | M050505137  | REV 版次                      | A   |
| Material Master No. 物料编号 | 050505137   | Drawing Size 图幅             | A3  |
| Material 材质              | N/A   | Sheet Number 页码             | 1/1 |
| Attribute 属性             | 5/8" ID x 1/4" MSAE   | Third Angle Projection 第三视角 |     |

Dimensions inside an oval  
are critical dimensions  
椭圆内尺寸为关键尺寸

| Linear Dimensions<br>线性尺寸 (mm)              | 0 Decimal Place<br>整数 | 1 Decimal Place<br>1位小数 | 2 Decimal Place<br>2位小数 | Angular Dimensions<br>角度尺寸 | 0 Decimal Place<br>整数 | 1 Decimal Place<br>1位小数 | Ra 1.6 |
|---|-----------------------|-------------------------|-------------------------|----------------------------|-----------------------|-------------------------|--------|
|   | ±1.0                  | ±0.2                    | ±0.05                   |                            | ±2°                   | ±0.5°                   |        |
| Tolerance Unless Stated Otherwise<br>未注尺寸公差 |                       |                         |                         |                            |                       |                         |        |

|                          |     |
|--------------------------|-----|
| Estimated Weight<br>预估重量 | N/A |
| Scale<br>比例              | 1:2 |
| Unit<br>绘图单位             | mm  |

|                   |               |           |
|-------------------|---------------|-----------|
| Approved_by<br>批准 | Julian Parker | 2019/10/9 |
| Checked_by<br>审核  | Leo Wu        | 2019/10/9 |
| Drawn_by<br>绘图    | Nancy Huang   | 2019/9/10 |

