

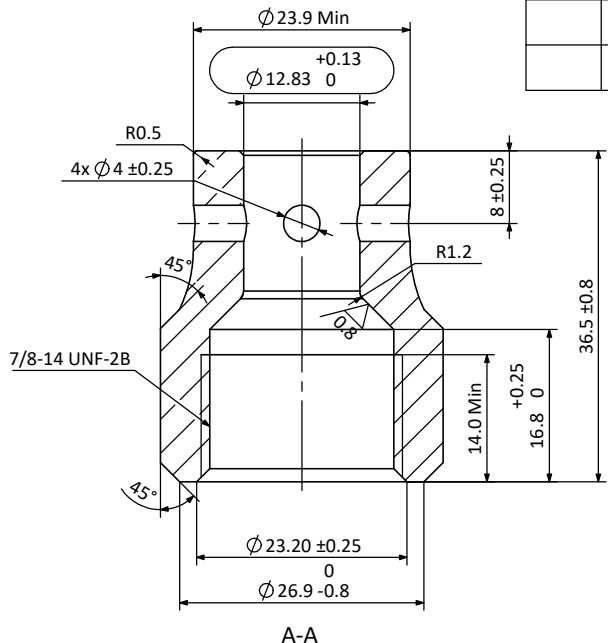
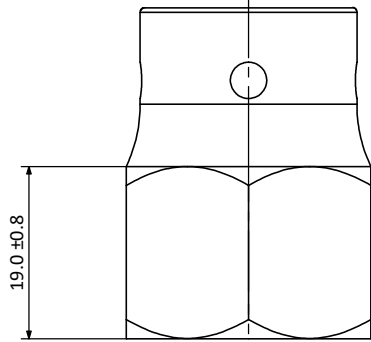
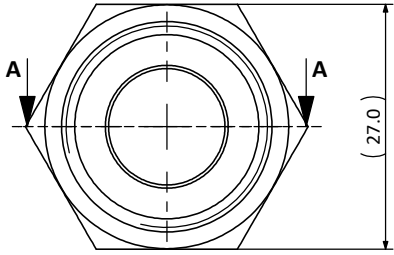
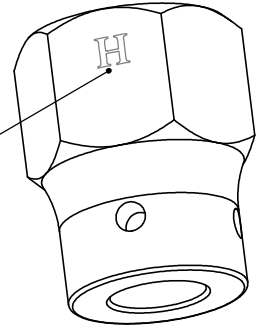
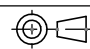
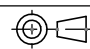
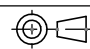



A		B				C			D																																
HGI Part No.	03/04/2019  HENRY JTP  APPROVED DOCUMENT					REV. 版本	ENC 工程变更通知	Description 变更描述		Name 变更人	Date 变更日期																														
502-1008						B	ECN-HT18055	Change Logo to "H" mark		Li.Dongsen	2019/03/18																														
																																									
<p>Technical Requirements: 技术要求:</p> <ol style="list-style-type: none"> All edges free of burr or flash; 不能有毛刺和飞边; Part to conform to SAE J513; 零件符合SAE J513标准; Material certificates must be supplied with every batch; 每批产品需提供材质分析报告; Unspecified geometric tolerance according to ISO 2768-K. 未注形位公差参照ISO 2768-K; All parts to be forged, these should never be machined from bar stock. The forging should be accurate enough. 部件必须是锻造而成, 不能棒料加工。锻造毛坯需保证足够精度。 											 <p>Brand "H" mark, Font:AGaramond, Size:3mm 冲印"H"商标, 字体:AGaramond, 字高:3mm</p>																														
<p>Dimensions inside an oval are critical dimensions 椭圆内尺寸为关键尺寸</p>						<table border="1"> <thead> <tr> <th colspan="2">Description 产品名称</th> <th colspan="4">Flare Nut Frost Proof 5/8 FSAE x 1/2" ID 防冻纳子 5/8 FSAE x 1/2" ID</th> </tr> </thead> <tbody> <tr> <td>Drawing No. 图纸编号</td> <td>M040202422</td> <td>REV 版次</td> <td colspan="3">B</td> </tr> <tr> <td>Material Master No. 物料编号</td> <td>040202422</td> <td>Drawing Size 图幅</td> <td colspan="3">A4</td> </tr> <tr> <td>Material 材质</td> <td>HPb59-1</td> <td>Sheet Number 页码</td> <td colspan="3">1/1</td> </tr> <tr> <td>Attribute 属性</td> <td colspan="2">5/8 FSAE x 1/2" ID</td> <td>Third Angle Projection 第三视角</td> <td colspan="2"></td> </tr> </tbody> </table>						Description 产品名称		Flare Nut Frost Proof 5/8 FSAE x 1/2" ID 防冻纳子 5/8 FSAE x 1/2" ID				Drawing No. 图纸编号	M040202422	REV 版次	B			Material Master No. 物料编号	040202422	Drawing Size 图幅	A4			Material 材质	HPb59-1	Sheet Number 页码	1/1			Attribute 属性	5/8 FSAE x 1/2" ID		Third Angle Projection 第三视角		
Description 产品名称		Flare Nut Frost Proof 5/8 FSAE x 1/2" ID 防冻纳子 5/8 FSAE x 1/2" ID																																							
Drawing No. 图纸编号	M040202422	REV 版次	B																																						
Material Master No. 物料编号	040202422	Drawing Size 图幅	A4																																						
Material 材质	HPb59-1	Sheet Number 页码	1/1																																						
Attribute 属性	5/8 FSAE x 1/2" ID		Third Angle Projection 第三视角																																						
Linear Dimensions 线性尺寸	0 Decimal Place 整数 ±1.0	1 Decimal Place 1位小数 ±0.2	2 Decimal Place 2位小数 ±0.05	Angular Dimensions 角度尺寸 ±2°	0 Decimal Place 整数 ±2°	1 Decimal Place 1位小数 ±0.5°	Ra 1.6	Estimated Weight 预估重量 96.46g	Scale 比例 2:1	Unit 绘图单位 mm	Approved_by 批准 Julian Parker	2019/03/18	 HENRY																												
Tolerance Unless Stated Otherwise 未注尺寸公差										Checked_by 审核 Reuben Fan	2019/03/18																														
										Drawn_by 绘图 Li.Dongsen	2019/03/18																														