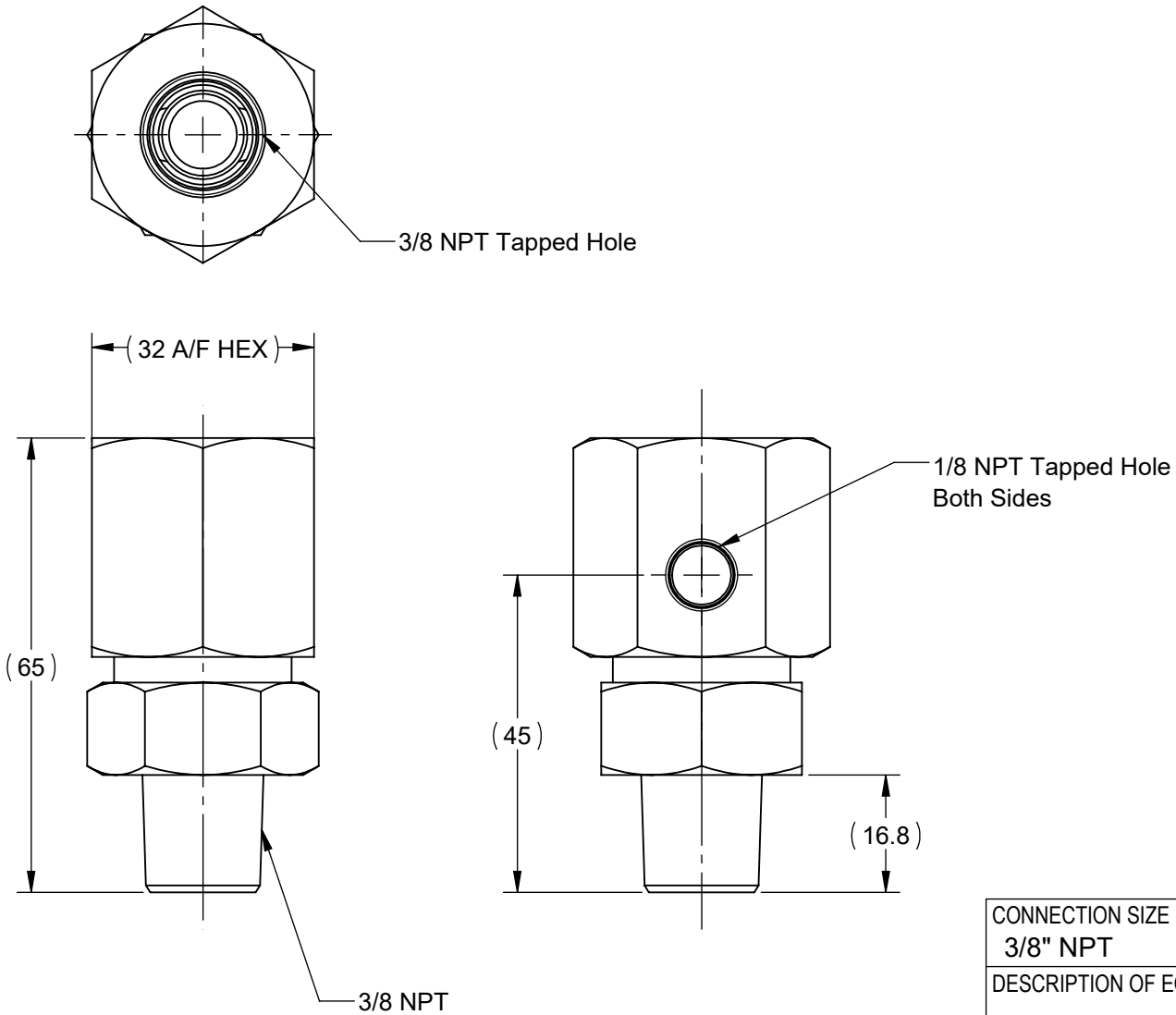




GENERAL TOLERANCES	ALL DIMENSIONS IN mm
NO DECIMAL PLACES = ±1.5	ANGULAR = ±2°
ONE DECIMAL PLACE = ±1.0	ALL UNSPECIFIED
TWO DECIMAL PLACES = ±0.5	ANGLES SHALL BE 45°



- NOTES:
1. MAXIMUM WORKING PRESSURE: 10.3 to 60 BARG
 2. OPERATING TEMPERATURE RANGE: -40°C to +121°C
 3. INLET SIZE: 3/8"
 4. OUTLET SIZE 3/8"
 5. CERTIFICATION: CE, UKCA, ASME-UD, NB, EN 4126-2

CONNECTION SIZE 3/8" NPT	MATERIAL Brass
DESCRIPTION OF EQUIPMENT Rupture Disc	
PART NUMBER 5525	CURRENT ACTIVE REVISION A
SCALE 1:1	
DRAWN R.Mulholland	
DATE 21/09/23	
CUSTOMER DRAWING	DRAWING No. 5525-Cust
	REVISION A