

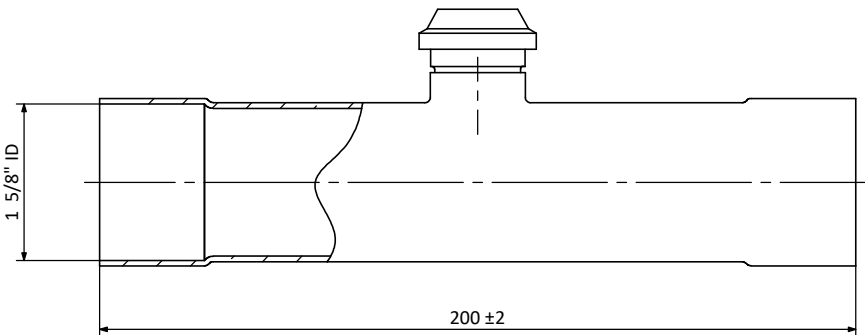
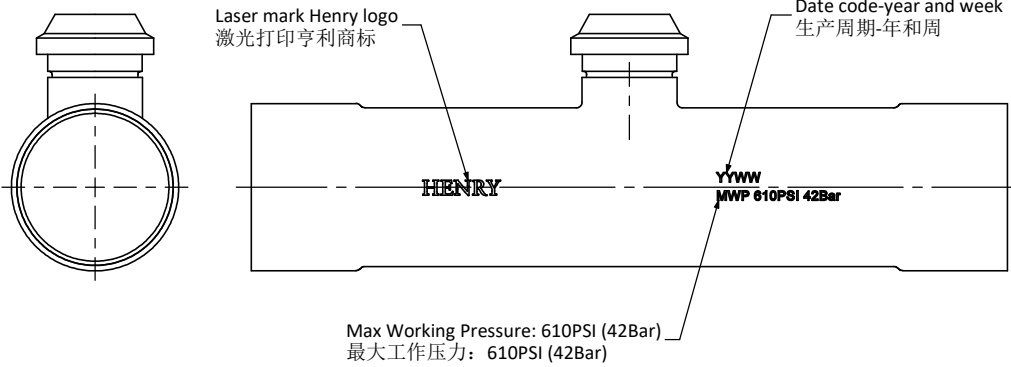
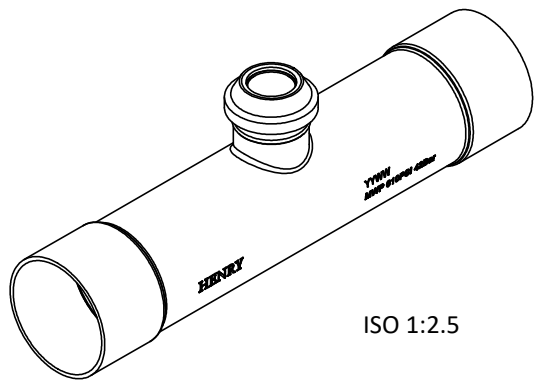
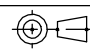
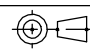
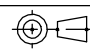




A		B				C			D																											
HGI Part No.		17/07/2018  HENRY JTP  APPROVED DOCUMENT				REV. 版本	ENC 工程变更通知	Description 变更描述		Name 变更人	Date 变更日期																									
670-2626 -customer																																				
						 <p>Laser mark Henry logo 激光打印亨利商标</p> <p>Date code-year and week 生产周期-年和周</p> <p>Max Working Pressure: 610PSI (42Bar) 最大工作压力: 610PSI (42Bar)</p>																														
		 <p>ISO 1:2.5</p>				Technical Requirements: 技术要求: <ol style="list-style-type: none"> Safe working pressure 4.2MPa; 安全工作压力为4.2MPa; Leak test pressure 6MPa; 泄漏测试压力为6MPa; Burst pressure 12.6MPa; 爆破压力为12.6MPa; Operating temperature range of -50°C to +85°C; 操作温度范围为-50°C ~ +85°C; Manufacture to AS/NZS 5149.2. 制造标准为 AS/NZS 5149.2. 					<table border="1"> <thead> <tr> <th>Description 产品名称</th> <th colspan="3">Hermetic Sight Glass 1 5/8" 视液镜 1 5/8"</th> </tr> </thead> <tbody> <tr> <td>Drawing No. 图纸编号</td> <td>M030509428</td> <td>REV 版次</td> <td>A</td> </tr> <tr> <td>Material Master No. 物料编号</td> <td>030509428</td> <td>Drawing Size 图幅</td> <td>A4</td> </tr> <tr> <td>Material 材质</td> <td>N/A</td> <td>Sheet Number 页码</td> <td>1/1</td> </tr> <tr> <td>Attribute 属性</td> <td>1 5/8"</td> <td>Third Angle Projection 第三视角</td> <td></td> </tr> </tbody> </table>		Description 产品名称	Hermetic Sight Glass 1 5/8" 视液镜 1 5/8"			Drawing No. 图纸编号	M030509428	REV 版次	A	Material Master No. 物料编号	030509428	Drawing Size 图幅	A4	Material 材质	N/A	Sheet Number 页码	1/1	Attribute 属性	1 5/8"	Third Angle Projection 第三视角					
Description 产品名称	Hermetic Sight Glass 1 5/8" 视液镜 1 5/8"																																			
Drawing No. 图纸编号	M030509428	REV 版次	A																																	
Material Master No. 物料编号	030509428	Drawing Size 图幅	A4																																	
Material 材质	N/A	Sheet Number 页码	1/1																																	
Attribute 属性	1 5/8"	Third Angle Projection 第三视角																																		
		Dimensions inside an oval are critical dimensions 椭圆内尺寸为关键尺寸				<table border="1"> <thead> <tr> <th>Linear Dimensions 线性尺寸</th> <th>0 Decimal Place 整数</th> <th>1 Decimal Place 1位小数</th> <th>2 Decimal Place 2位小数</th> <th>Angular Dimensions 角度尺寸</th> <th>0 Decimal Place 整数</th> <th>1 Decimal Place 1位小数</th> <th>Estimated Weight 预估重量</th> <th>N/A</th> </tr> </thead> <tbody> <tr> <td></td> <td>±1.0</td> <td>±0.2</td> <td>±0.05</td> <td></td> <td>±2°</td> <td>±0.5°</td> <td></td> <td></td> </tr> </tbody> </table>		Linear Dimensions 线性尺寸	0 Decimal Place 整数	1 Decimal Place 1位小数	2 Decimal Place 2位小数	Angular Dimensions 角度尺寸	0 Decimal Place 整数	1 Decimal Place 1位小数	Estimated Weight 预估重量	N/A		±1.0	±0.2	±0.05		±2°	±0.5°			<table border="1"> <thead> <tr> <th>Approved_by 批准</th> <th>Julian Parker</th> <th>7/12/2018</th> </tr> </thead> <tbody> <tr> <td>Checked_by 审核</td> <td>Leo Wu</td> <td>7/12/2018</td> </tr> <tr> <td>Drawn_by 绘图</td> <td>Nancy Huang</td> <td>7/11/2018</td> </tr> </tbody> </table>		Approved_by 批准	Julian Parker	7/12/2018	Checked_by 审核	Leo Wu	7/12/2018	Drawn_by 绘图	Nancy Huang	7/11/2018
Linear Dimensions 线性尺寸	0 Decimal Place 整数	1 Decimal Place 1位小数	2 Decimal Place 2位小数	Angular Dimensions 角度尺寸	0 Decimal Place 整数	1 Decimal Place 1位小数	Estimated Weight 预估重量	N/A																												
	±1.0	±0.2	±0.05		±2°	±0.5°																														
Approved_by 批准	Julian Parker	7/12/2018																																		
Checked_by 审核	Leo Wu	7/12/2018																																		
Drawn_by 绘图	Nancy Huang	7/11/2018																																		
		Tolerance Unless Stated Otherwise 未注尺寸公差				<table border="1"> <thead> <tr> <th>Unit 绘图单位</th> <th>mm</th> </tr> </thead> <tbody> <tr> <td></td> <td>mm</td> </tr> </tbody> </table>		Unit 绘图单位	mm		mm	 																								
Unit 绘图单位	mm																																			
	mm																																			