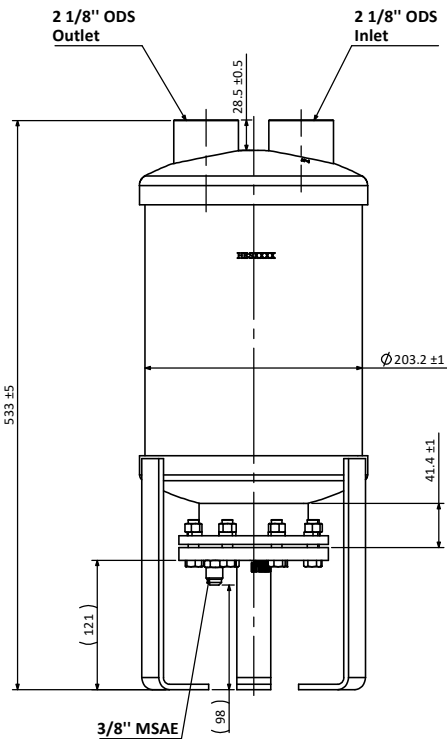
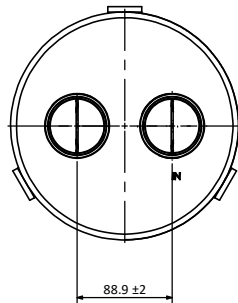
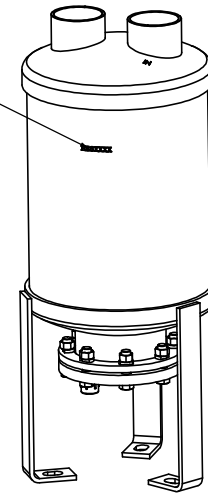


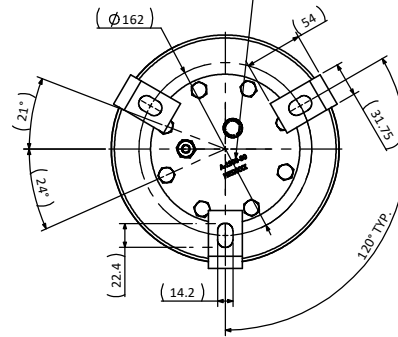
HGI Part No.		11/05/2022 HENRY JTP APPROVED DOCUMENT		<input checked="" type="checkbox"/> PED 2014/68/EU <input checked="" type="checkbox"/> AS2971.2 <input checked="" type="checkbox"/> UL207		REV. 版本	ECN 工程变更通知	Description 变更描述	Name 变更人	Date 变更日期
S-1902-customer				<input type="checkbox"/> CAT I <input type="checkbox"/> CAT II <input checked="" type="checkbox"/> CAT III		B	ECN-HT22008	Add Pre-charge Volume 680 mL/ 23 fl.oz. Cancel stamp heat number	Angel Zhang	2022/5/7
Volume Ltrs	Shell ID mm	Design Pressure MPa	Leak Test Pressure MPa	Proof Test Pressure MPa	Min Burst Test Pressure MPa					
9.1	Ø193.7	3.1	3.1	4.65	15.5					



Stamping manufacturing code and date code(HESXXXX)
冲印工厂代码和制造日期(HESXXXX)



Stamping product model (A-1900-30), manufacturing code and date code (HESXXXX)
冲印产品型号(A-1900-30)、工厂生产代码和制造日期(HESXXXX)



Technical Requirements:
技术要求

- Allowable operating temperature -10°C to +130°C;
工作温度-10°C到+130°C;
- Pre-charge Volume 680 mL/ 23 fl.oz.;
预充油体积: 680 mL/ 23 fl.oz.;
- Powder coating: Henry Blue, RAL 5013.
喷涂颜色: 亨利蓝色, RAL 5013.

Description 产品名称	Oil Separator 2 1/8" ODS 油分离器2 1/8" ODS		
Drawing No. 图纸编号	M050505340	REV 版次	B
Material Master No. 物料编号	050505340	Drawing Size 图幅	A3
Material 材质	Refer Table	Sheet Number 页码	1/1
Attribute 属性	2 1/8" ODS	Third Angle Projection 第三视角	
Approved_by 批准	Julian Parker	2022/5/10	
Checked_by 审核	Leo Wu	2022/5/10	
Drawn_by 绘图	Angel Zhang	2022/5/10	

Linear Dimensions 线性尺寸 (mm)	0 Decimal Place 整数	1 Decimal Place 1位小数	2 Decimal Place 2位小数	Angular Dimensions 角度尺寸	0 Decimal Place 整数	1 Decimal Place 1位小数	Ra 1.6 	Estimated Weight 预估重量	N/A	Scale 比例	1:10	Unit 绘图单位	mm
	±1.0	±0.2	±0.05		±2°	±0.5°							
Tolerance Unless Stated Otherwise 未注尺寸公差													