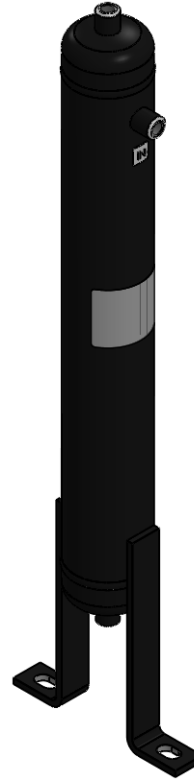
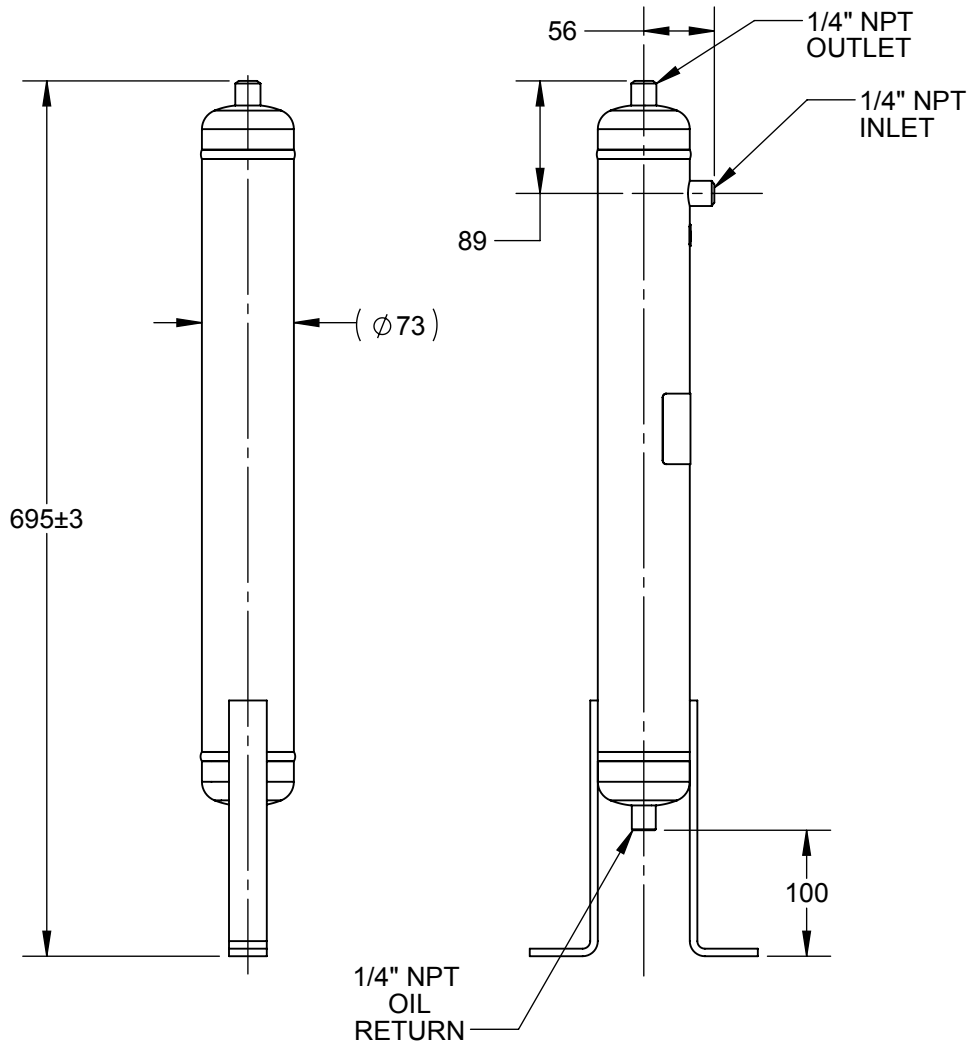


2 SLOTS, 14mm WIDE  
x 22mm LG. ON 137 PCD



ALL DIMENSIONS IN mm

TOLERANCES: NO DECIMAL PLACES = +1.5 -1.5 TWO DECIMAL PLACES = +0.5 -0.5  
ONE DECIMAL PLACE = +1.0 -1.0 ANGULAR = +2° -2°

ISSUE	ECN No	ALTERATION	BY	DATE
B		DRAWING UPDATED	MM	27/02/14

NOTES:

- 1) PER CAT 2 VESSEL
- 2) DESIGN PRESSURE 130 BAR G (1885 PSI G)
- 3) TEST PRESSURE 195 BAR G (2828 PSI G)
- 4) TEMPERATURE RANGE 0°C TO +140°C
- 5) WORKING MEDIUM CO<sub>2</sub>
- 6) INTERNAL VOL; 1.7L  
RESERVOIR CAPACITY; APPROX 1.1L
- 7) PAINT FINISH: AC & R BLUE

**DESCRIPTION 1/4" NPT TRANSCRITICAL  
HELICAL SEPARATOR-RESERVOIR**



**HENRY**  
TECHNOLOGIES

**HILLINGTON, GLASGOW, UK.**

**DRAWN** H.SAGGU

**SCALE** 1:6

**DATE** 23/07/13

**DRAWING No.**

**CHECKED**

**STH-5392\_CUST**

**APPROVED**