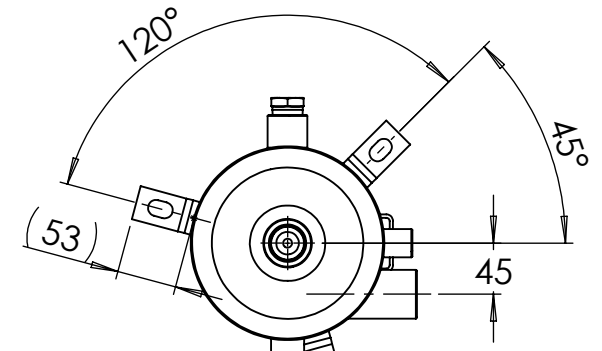


GENERAL TOLERANCES	ALL DIMENSIONS IN mm
NO DECIMAL PLACES = ±1.5	ANGULAR = ±2°
ONE DECIMAL PLACE = ±1.0	ALL UNSPECIFIED
TWO DECIMAL PLACES = ±0.5	ANGLES SHALL BE 45°



3 EQUI-SPACE SLOTS,
15.5mm WIDE x 22mm LG.
ON 116.37mm P.C.D

- NOTES:
1. CE/UKCA CERT: CAT III VESSEL
 2. DESIGN PRESSURE: 130 BARG
 3. TEST PRESSURE: 195 BARG
 4. OPERATING TEMPERATURE: 0°C to 150°C

CONNECTION SIZE 1"	MATERIAL -
DESCRIPTION OF EQUIPMENT	1" NPT TRANSCRITICAL HELICAL SEPARATOR
PART NUMBER STH-5398	CURRENT ACTIVE REVISION A
SCALE 3:20	
DRAWN M. Rapach	
DATE 4/3/24	
CUSTOMER DRAWING	DRAWING No. STH_5398-Cust
	REVISION A