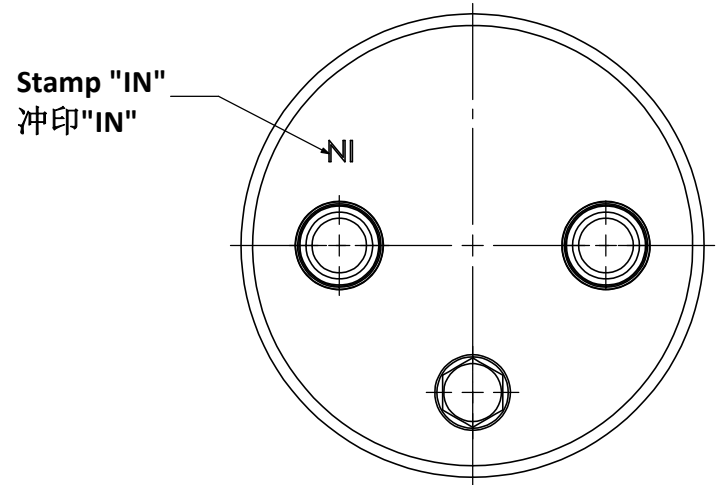
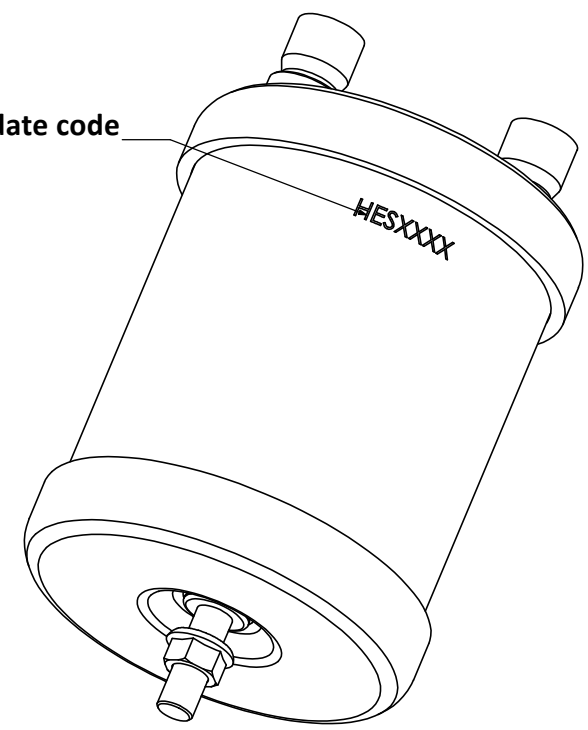


HGI Part No. S-7043-customer	04/03/2025 JTP APPROVED DOCUMENT	<input checked="" type="checkbox"/> PED 2014/68/EU <input checked="" type="checkbox"/> AS2971.2				<input checked="" type="checkbox"/> UL207	REV. 版本	ECN 工程变更通知	Description 变更描述	Name 变更人	Date 变更日期	
		<input type="checkbox"/> CAT I <input type="checkbox"/> CAT II	Volume Ltrs	Shell ID mm	Design Pressure MPa	Leak Test Pressure MPa	Proof Test Pressure MPa	Min Burst Test Pressure MPa	B	ECN-HT19018	S-7043-customer was SA-7043K-customer. Add 1/4" NPT plug.	Nancy Huang
		1.0	Ø97	3.1	3.1	3.1	C	ECN-HT20010	Add UL207;15.5 was 13.7	Zhou Lei	2020/03/30	
							15.5	D	ECN-HT25002	Design temperature updated from -30°C~50°C to -30°C~80°C	Qiu Leixin	2025/02/19

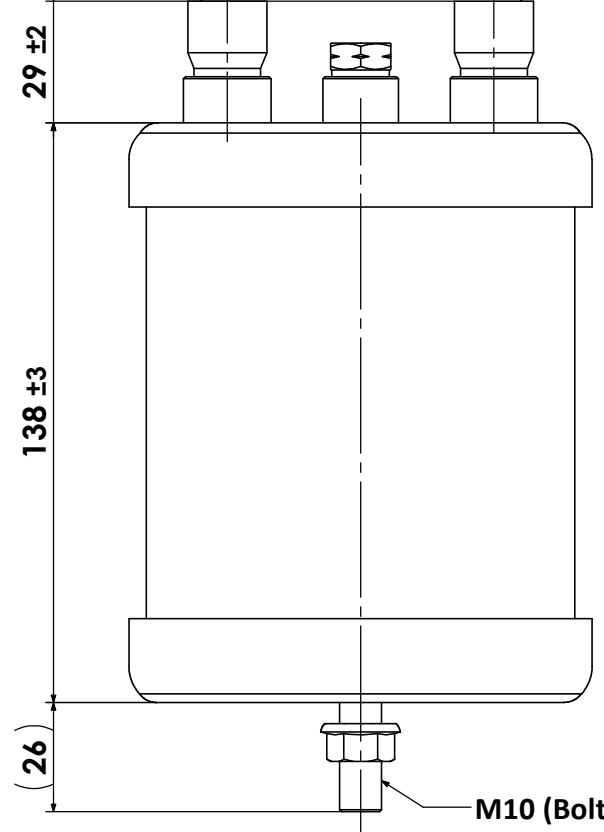
B



Stamp manufactory code and date code  
冲印工厂代码和制造日期

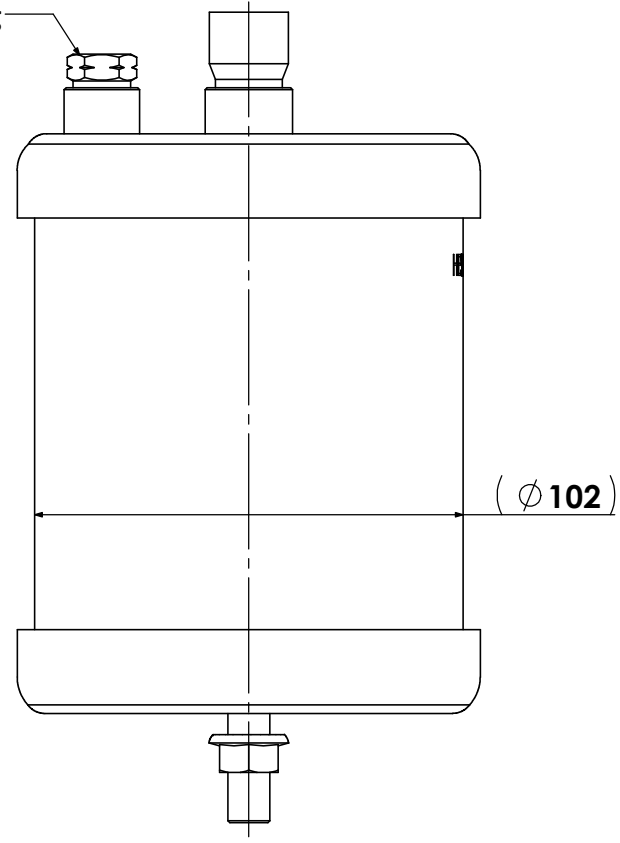


5/8" ODS Copper Inlet      63.5 ±2      5/8" ODS Copper Outlet



1/4" NPT plug

B



Technical Requirements:

- 技术要求
- Allowable operating temperature -30°C to +80°C;  
工作温度-30°C到+80°C;
  - Powder coating: Henry Blue RAL 5013.  
喷涂颜色: 亨利蓝RAL 5013.

D

Description 产品名称	Suction Accumulator 1.0L 气液分离器 1.0L		
Drawing No. 图纸编号	M050509944	REV 版次	D
Material Master No. 物料编号	050509944	Drawing Size 图幅	A3
Material 材质	N/A	Sheet Number 页码	1/1
Attribute 属性	5/8" ODS	Third Angle Projection 第三视角	

Linear Dimensions 线性尺寸 (mm)	0 Decimal Place 整数	1 Decimal Place 1位小数	2 Decimal Place 2位小数	Angular Dimensions 角度尺寸	0 Decimal Place 整数	1 Decimal Place 1位小数	Ra 1.6	Estimated Weight 预估重量	N/A	Approved_by 批准	Julian Parker	2025/2/19
	±1.0	±0.2	±0.05		±2°	±0.5°						
Tolerance Unless Stated Otherwise 未注尺寸公差								Unit 绘图单位	mm	Drawn_by 绘图	Nancy Huang	2018/10/22

