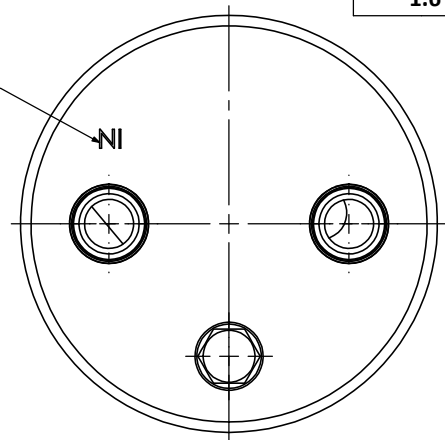


HGI Part No.	04/03/2025 HENRY JTP APPROVED DOCUMENT	<input checked="" type="checkbox"/> PED 2014/68/EU	<input checked="" type="checkbox"/> AS2971.2	<input checked="" type="checkbox"/> UL207	REV. 版本	ECN 工程变更通知	Description 变更描述	Name 变更人	Date 变更日期
S-7045-customer		<input checked="" type="checkbox"/> CAT I	<input type="checkbox"/> CAT II		B	ECN-HT19018	S-7045-customer was SA-7045K-customer. Add 1/4" NPT plug.	Nancy Huang	2019/3/28
		Volume Ltrs	Shell ID mm	Design Pressure MPa	Leak Test Pressure MPa	Proof Test Pressure MPa	Min Burst Test Pressure MPa	C	ECN-HT20010
		1.6	Ø97	3.1	3.1	4.43	15.5	D	ECN-HT25002
									Add UL207;add CAT I;15.5 was 13.7
									Design temperature updated from -30°C~50°C to -30°C~80°C
									Zhou Lei 2020/03/27
									Qiu Leixin 2025/02/19

Stamp "IN"
钢印"IN"



5/8" ODS Copper Inlet

63.5 ±2

5/8" ODS Copper Outlet

29 ±2

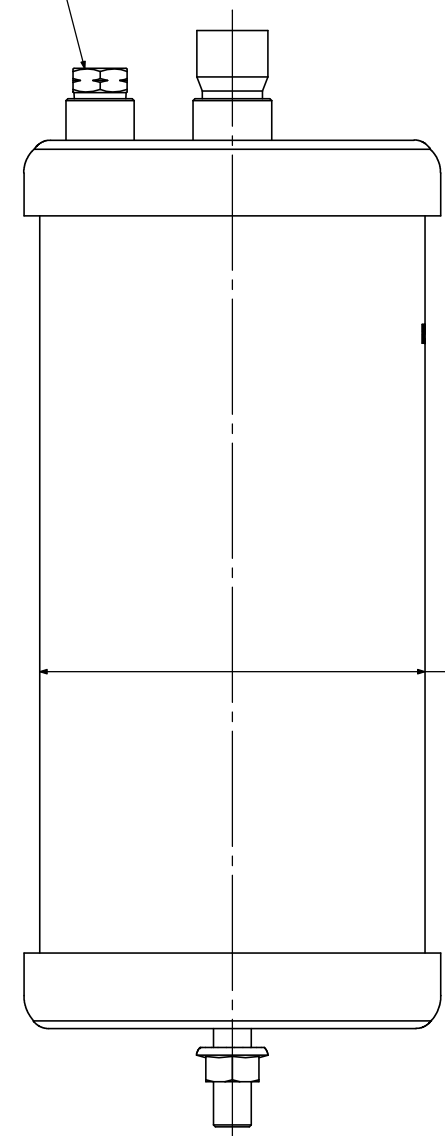
235 ±3

(26)

M10 (Bolt & Nut)

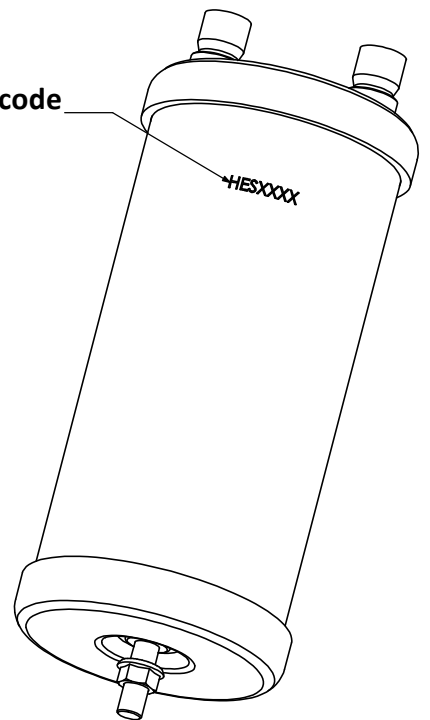
1/4" NPT plug

B



(Ø 102)

Stamp manufactory code and date code
冲印工厂代码和制造日期



Technical Requirements:

技术要求

1. Allowable operating temperature -30°C to +80°C;
工作温度-30°C到+80°C;
2. Powder coating: Henry Blue RAL 5013.
喷涂颜色: 亨利蓝RAL 5013。

D

Description 产品名称	Suction Accumulator 1.6L 气液分离器 1.6L		
Drawing No. 图纸编号	M050509946	REV 版次	D
Material Master No. 物料编号	050509946	Drawing Size 图幅	A3
Material 材质	N/A	Sheet Number 页码	1/1
Attribute 属性	5/8" ODS	Third Angle Projection 第三视角	

Linear Dimensions 线性尺寸 (mm)	0 Decimal Place 整数	1 Decimal Place 1位小数	2 Decimal Place 2位小数	Angular Dimensions 角度尺寸	0 Decimal Place 整数	1 Decimal Place 1位小数	Ra 1.6	Estimated Weight 预估重量	N/A	Approved_by 批准	Julian Parker	2025/02/19
	±1.0	±0.2	±0.05		±2°	±0.5°		Scale 比例	1:2	Checked_by 审核	Leo Wu	2025/02/19
Tolerance Unless Stated Otherwise 未注尺寸公差								Unit 绘图单位	mm	Drawn_by 绘图	Nancy Huang	2018/10/22

HENRY