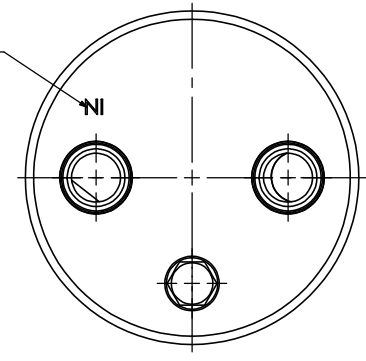


<input checked="" type="checkbox"/> PED 2014/68/EU	<input checked="" type="checkbox"/> AS2971.2	<input checked="" type="checkbox"/> UL207	REV. 版本	ECN 工程变更通知	Description 变更描述	Name 变更人	Date 变更日期
<input type="checkbox"/> CAT I	<input checked="" type="checkbox"/> CAT II	<input checked="" type="checkbox"/> C	B	ECN-HT19018	S-7046-customer was SA-7046K-customer. Add 1/4" NPT plug.	Nancy Huang	2019/3/28
Volume Ltrs	Shell ID mm	Design Pressure MPa	Leak Test Pressure MPa	Proof Test Pressure MPa	Add UL207;CAT II was CAT I;15.5 was 13.7	Zhou Lei	2020/03/30
1.64	Ø97	3.1	3.1	4.43	Design temperature updated from -30°C~50°C to -30°C~80°C	Qiu Leixin	2025/02/19

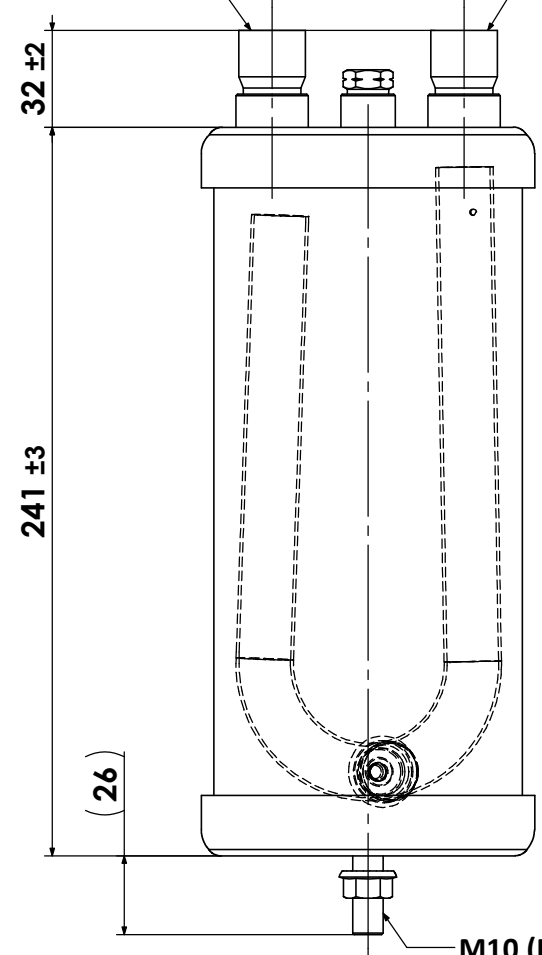
Stamp "IN"
冲印"IN"



3/4" ODS Copper Inlet

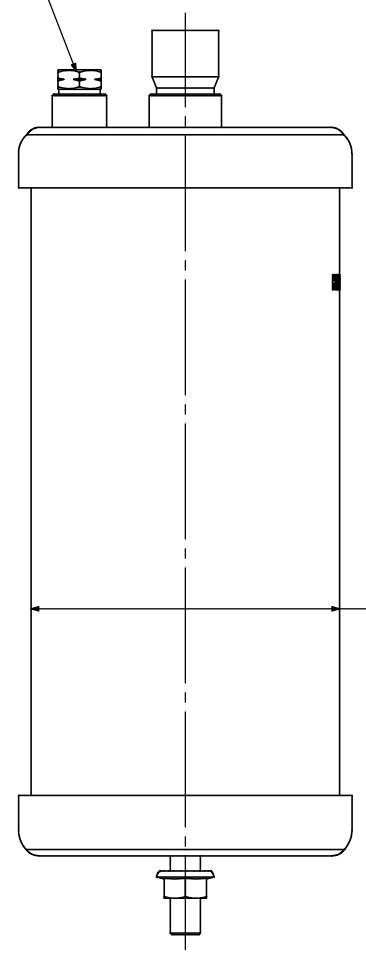
63.5 ±2

3/4" ODS Copper Outlet

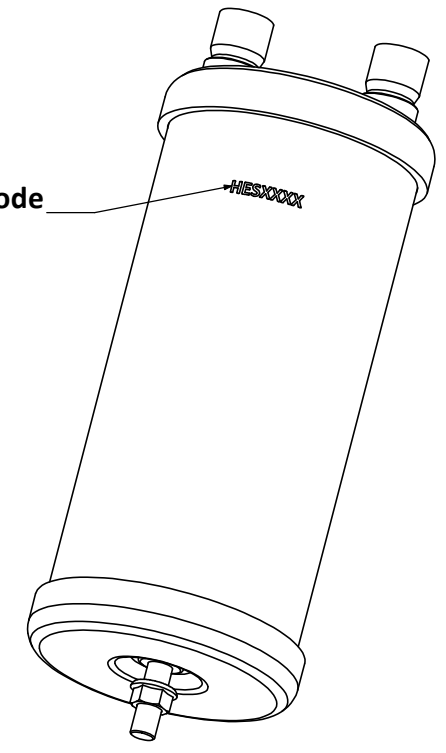


M10 (Bolt & Nut)

1/4" NPT plug



Stamp factory code and date code
冲印工厂代码和制造日期



ISO 1:3

Technical Requirements:

- 技术要求
1. Allowable operating temperature -30°C to +80°C; 工作温度-30°C到+80°C;
 2. Powder coating: Henry Blue RAL 5013. 喷涂颜色: 亨利蓝RAL 5013.

Description 产品名称	Suction Accumulator 1.64L 气液分离器 1.64L		
Drawing No. 图纸编号	M050509947	REV 版次	D
Material Master No. 物料编号	050509947	Drawing Size 图幅	A3
Material 材质	N/A	Sheet Number 页码	1/1
Attribute 属性	3/4" ODS	Third Angle Projection 第三视角	

Linear Dimensions 线性尺寸 (mm)	0 Decimal Place 整数	1 Decimal Place 1位小数	2 Decimal Place 2位小数	Angular Dimensions 角度尺寸	0 Decimal Place 整数	1 Decimal Place 1位小数	Estimated Weight 预估重量	N/A	Scale 比例	Unit 绘图单位
	±1.0	±0.2	±0.05		±2°	±0.5°				
Tolerance Unless Stated Otherwise 未注尺寸公差										

Approved_by 批准	Julian Parker	2025/02/19
Checked_by 审核	Leo Wu	2025/02/19
Drawn_by 绘图	Nancy Huang	2018/10/22

