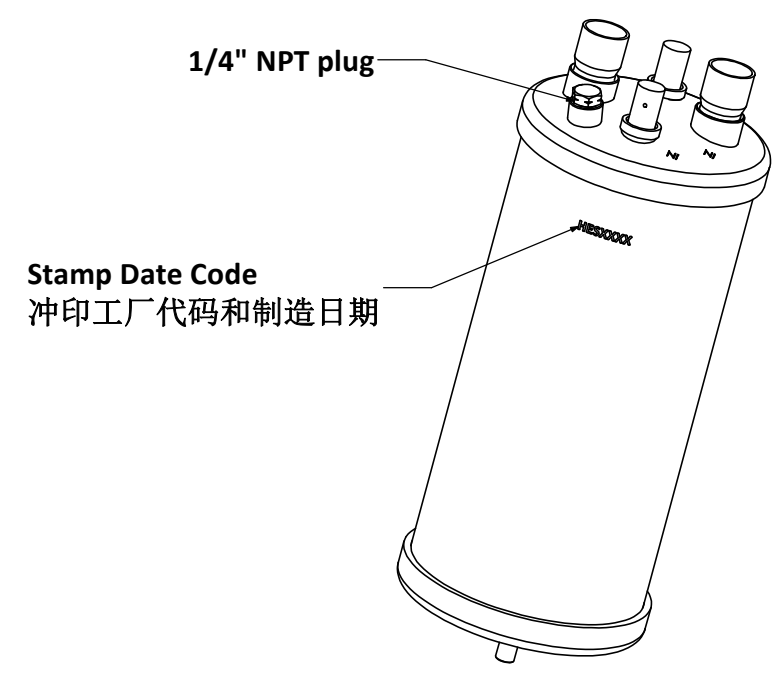
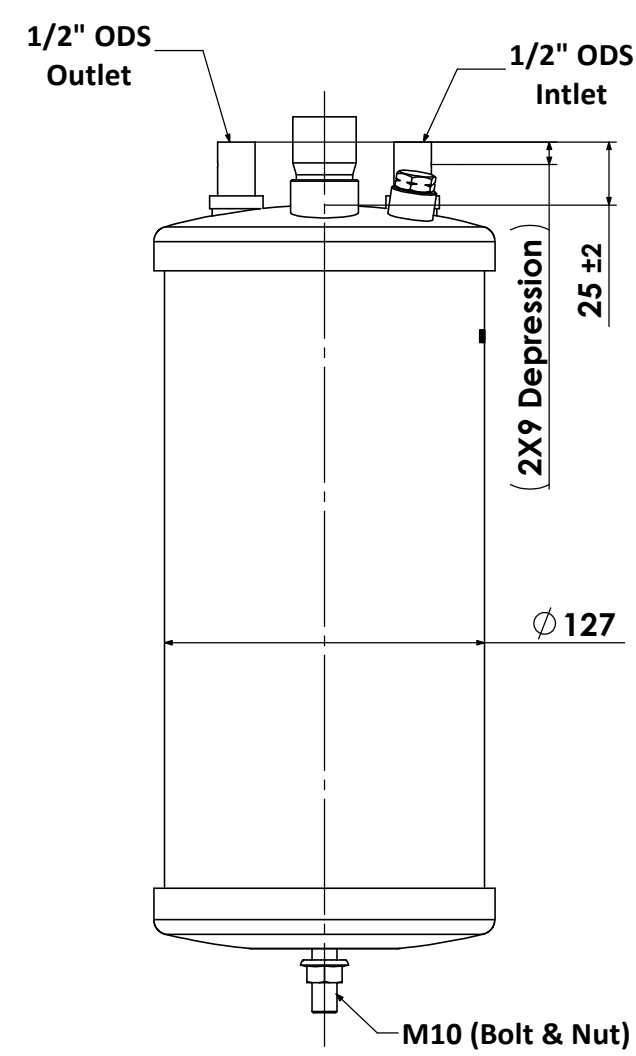
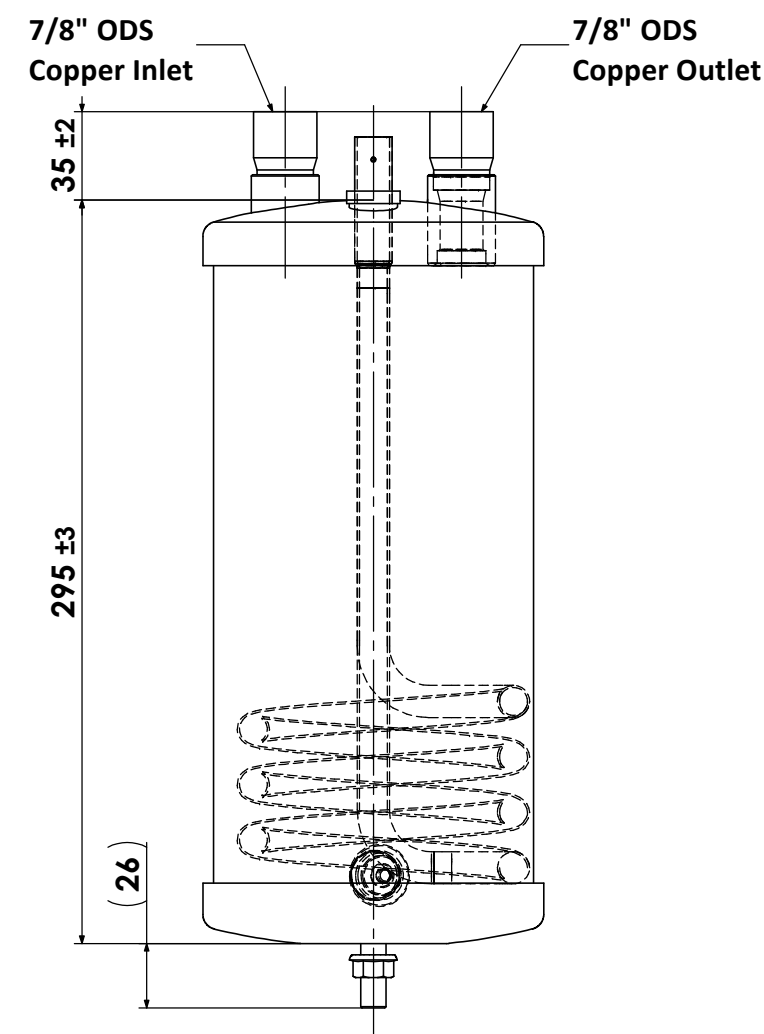
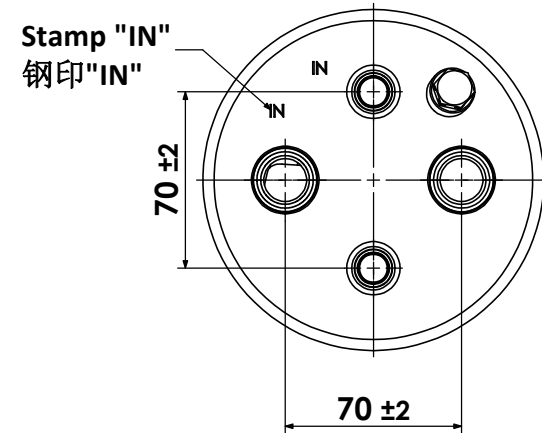


| | | | | | | | | | | | | |
|-----------------------------------|--|---|-------------|-------------|---------------------|------------------------|-------------------------|-----------------------------|-------------|--|---------------|-------------|
| HGI Part No. S-7057HE-customer | 03/03/2025 JTP APPROVED DOCUMENT | <input checked="" type="checkbox"/> PED 2014/68/EU <input checked="" type="checkbox"/> AS2971.2 <input checked="" type="checkbox"/> UL207 | | | | REV. 版本 | ECN 工程变更通知 | Description 变更描述 | Name 变更人 | Date 变更日期 | | |
| | | <input type="checkbox"/> CAT I <input checked="" type="checkbox"/> CAT II | Volume Ltrs | Shell ID mm | Design Pressure MPa | Leak Test Pressure MPa | Proof Test Pressure MPa | Min Burst Test Pressure MPa | B | ECN-HT21008 | Design change | Angel Zhang |
| | | 3.2 | Ø121 | 3.1 | 3.1 | 4.43 | 15.5 | C | ECN-HT25002 | Design temperature updated from -30°C~50°C to -30°C~80°C | Qiu Leixin | 2025/02/19 |



- Technical Requirements:**
技术要求
- Allowable operating temperature -30°C to +80°C; 工作温度-30°C到+80°C;
 - Powder coating: Henry Blue RAL 5013. 喷涂颜色: 亨利蓝RAL 5013.

| | | | |
|--------------------------|--|-----------------------------|-----|
| Description 产品名称 | Heat Exchange Accumulator 3.2L 热交换气液分离器 3.2L | | |
| Drawing No. 图纸编号 | M050505056 | REV 版次 | C |
| Material Master No. 物料编号 | 050505056 | Drawing Size 图幅 | A3 |
| Material 材质 | N/A | Sheet Number 页码 | 1/1 |
| Attribute 属性 | 7/8" ODS | Third Angle Projection 第三视角 | |

| | | | | | | | | | | | | |
|--|--------------------|----------------------|----------------------|-------------------------|--------------------|----------------------|--------|-----------------------|-----|----------------|---------------|-----------|
| Linear Dimensions 线性尺寸 (mm) | 0 Decimal Place 整数 | 1 Decimal Place 1位小数 | 2 Decimal Place 2位小数 | Angular Dimensions 角度尺寸 | 0 Decimal Place 整数 | 1 Decimal Place 1位小数 | Ra 1.6 | Estimated Weight 预估重量 | N/A | Approved_by 批准 | Julian Parker | 2025/2/19 |
| | ±1.0 | ±0.2 | ±0.05 | | ±2° | ±0.5° | | | | | | |
| Tolerance Unless Stated Otherwise 未注尺寸公差 | | | | | | | | Unit 绘图单位 | mm | Drawn_by 绘图 | Angel Zhang | 2021/2/1 |

