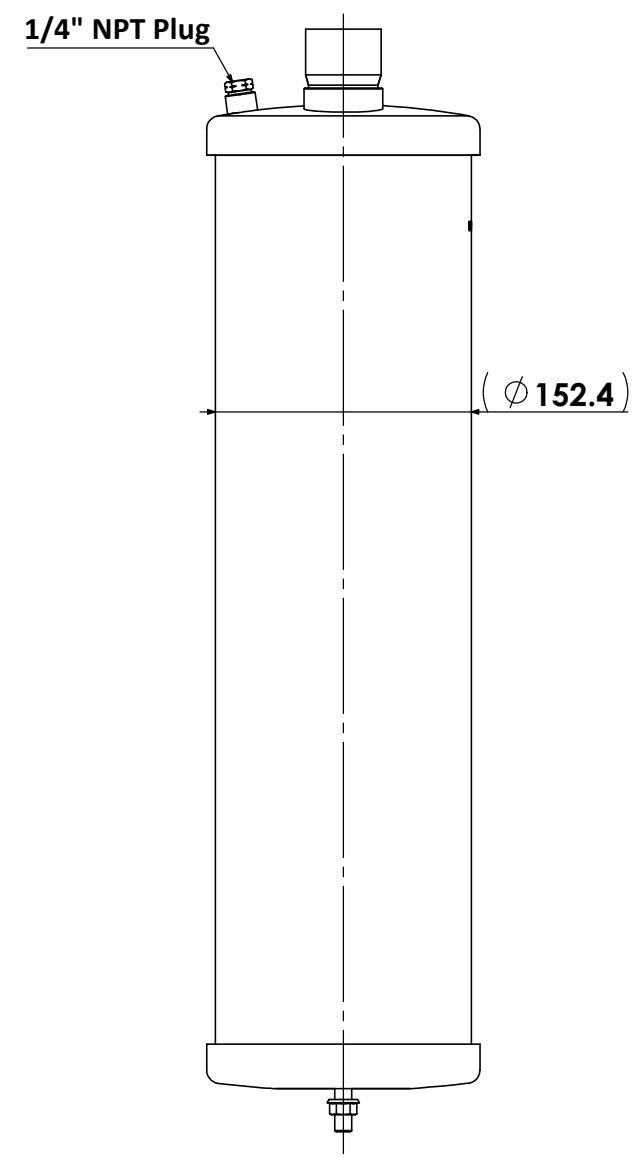
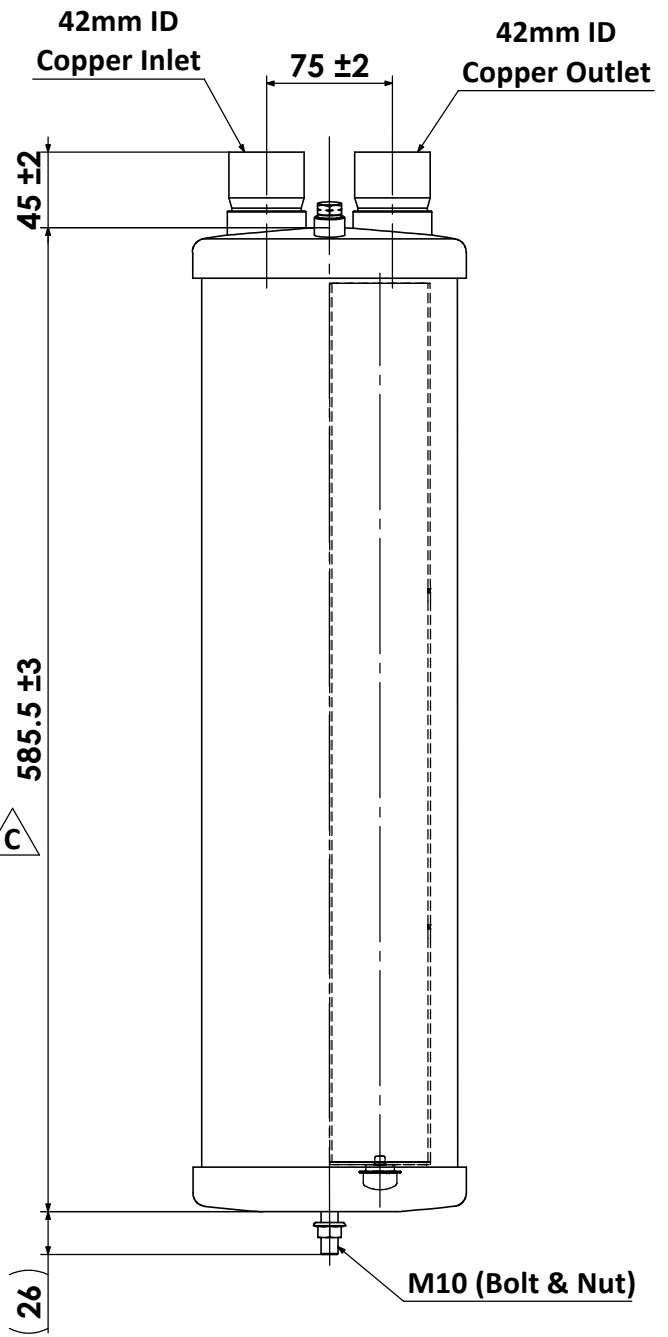
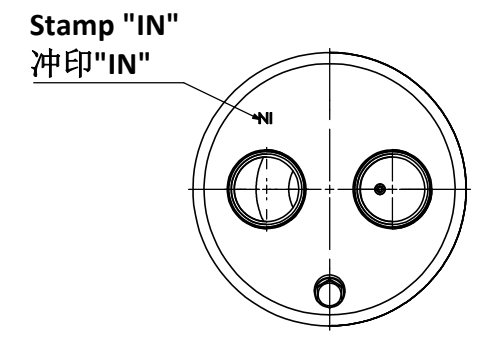


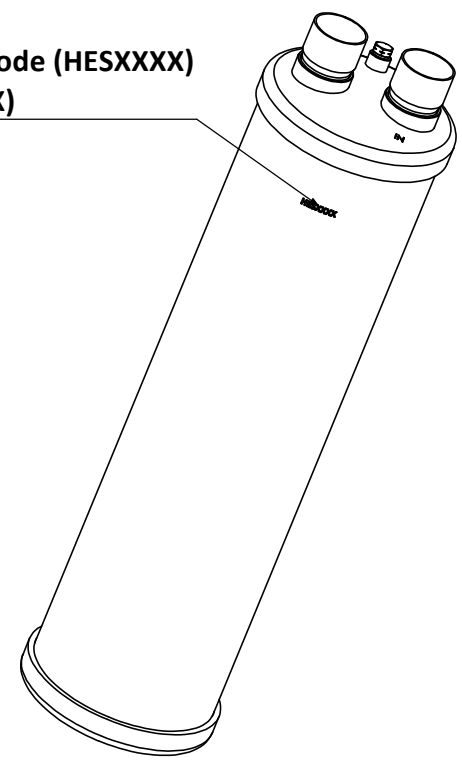
HGI Part No. S-7065M-customer
 04/03/2025 HENRY JTP APPROVED DOCUMENT

| | | |
|--|--|---|
| <input checked="" type="checkbox"/> PED 2014/68/EU | <input checked="" type="checkbox"/> AS2971.2 | <input checked="" type="checkbox"/> UL207 |
| <input type="checkbox"/> CAT I | <input type="checkbox"/> CAT II | <input checked="" type="checkbox"/> CAT III |
| Volume Ltrs | Shell ID mm | Design Pressure MPa |
| C 9.4 | Ø145.4 | 3.1 |
| Leak Test Pressure MPa | Proof Test Pressure MPa | Min Burst Test Pressure MPa |
| B 3.1 | 4.43 | B 15.5 |

| REV. 版本 | ECN 工程变更通知 | Description 变更描述 | Name 变更人 | Date 变更日期 |
|---------|-------------|---|------------|------------|
| B | ECN-HT20010 | Add UL207;3.1 was 4.43;15.5 was 13.7 | Zhou Lei | 2020/03/30 |
| C | ECN-HT20024 | 585.5 was 569;9.4 was 9.2 | Zhou Lei | 2020/04/22 |
| D | ECN-HT24010 | Media Type Group 1 was Group 2 PED Category CAT III was CAT II | Qiu Leixin | 2024/5/9 |
| E | ECN-HT25002 | Design temperature updated from -30°C~50°C to -30°C~80°C | Qiu Leixin | 2025/2/26 |



Stamp manufactory code and date code (HESXXXX)
 冲印工厂代码和制造日期 (HESXXXX)



- Technical Requirements:**
 技术要求
- Allowable operating temperature -30°C to +80°C; **E**
 工作温度-30°C到+80°C;
 - Powder coating: Henry Blue RAL 5013.
 喷涂颜色: 亨利蓝RAL 5013.

| | | | |
|--------------------------|---|-----------------------------|-----|
| Description 产品名称 | Suction Accumulator 9.4L C 气液分离器 9.4L | | |
| Drawing No. 图纸编号 | M050509987 | REV 版次 | E |
| Material Master No. 物料编号 | 050509987 | Drawing Size 图幅 | A3 |
| Material 材质 | N/A | Sheet Number 页码 | 1/1 |
| Attribute 属性 | 42mm ODS | Third Angle Projection 第三视角 | |

| Linear Dimensions 线性尺寸 (mm) | 0 Decimal Place 整数 | 1 Decimal Place 1位小数 | 2 Decimal Place 2位小数 | Angular Dimensions 角度尺寸 | 0 Decimal Place 整数 | 1 Decimal Place 1位小数 | Ra 1.6 | Estimated Weight 预估重量 | N/A | Approved_by 批准 | Julian Parker | 2025/02/26 |
|---|-----------------------|-------------------------|-------------------------|----------------------------|-----------------------|-------------------------|--------|--------------------------|-----|-------------------|---------------|------------|
| | ±1.0 | ±0.2 | ±0.05 | | ±2° | ±0.5° | | Scale 比例 | | | | |
| Tolerance Unless Stated Otherwise 未注尺寸公差 | | | | | | | | | | Drawn_by 绘图 | Nancy Huang | 2019/2/20 |

