

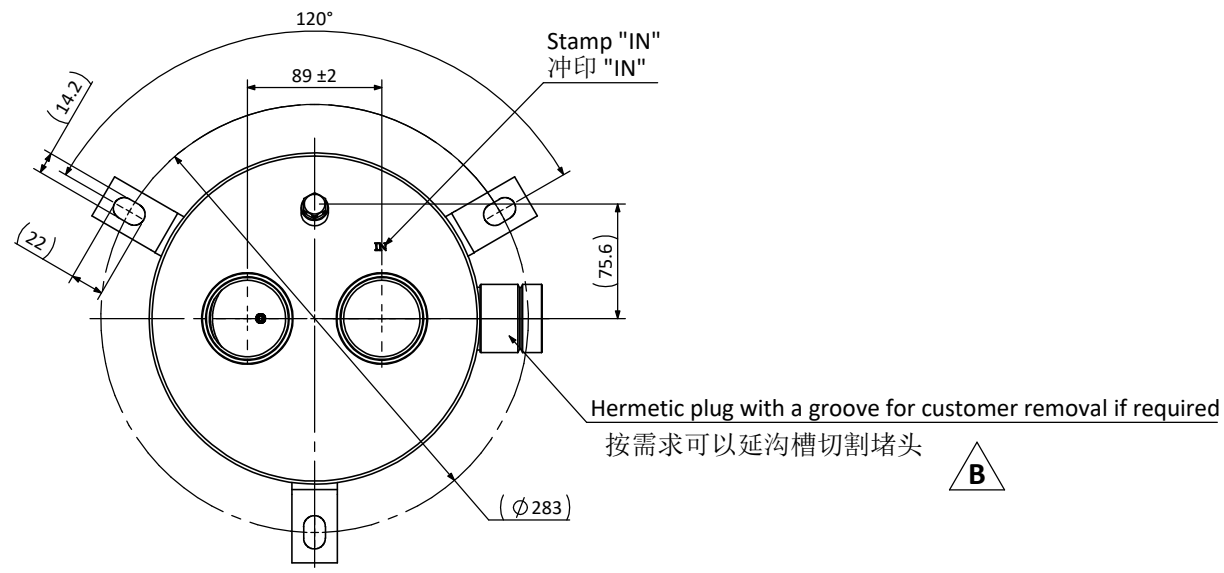
HGI Part No.
S-7721-customer

03/03/2025 HENRY
JTP
APPROVED DOCUMENT

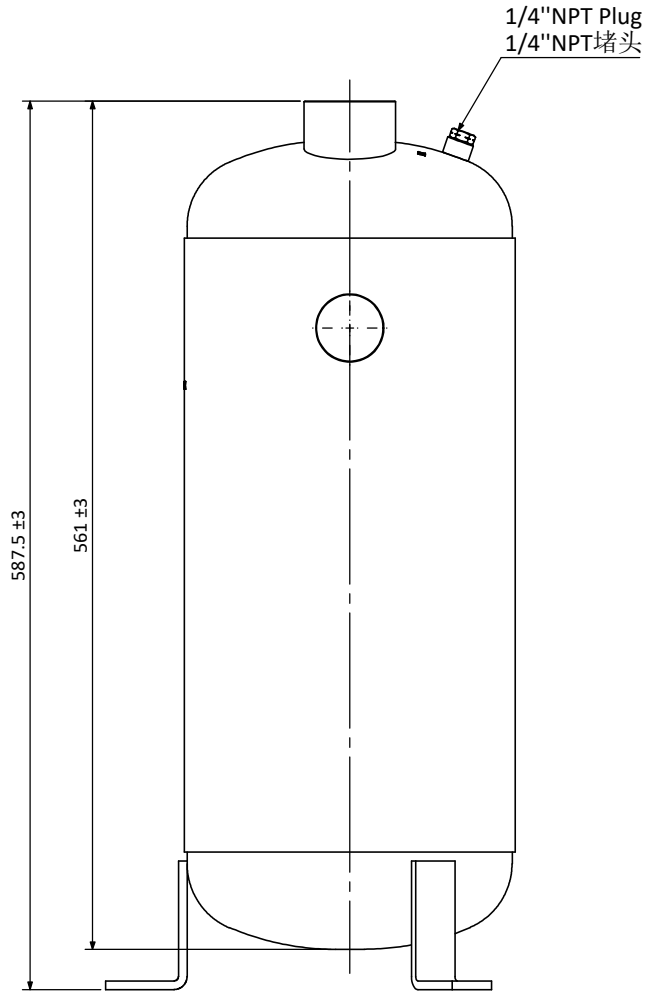
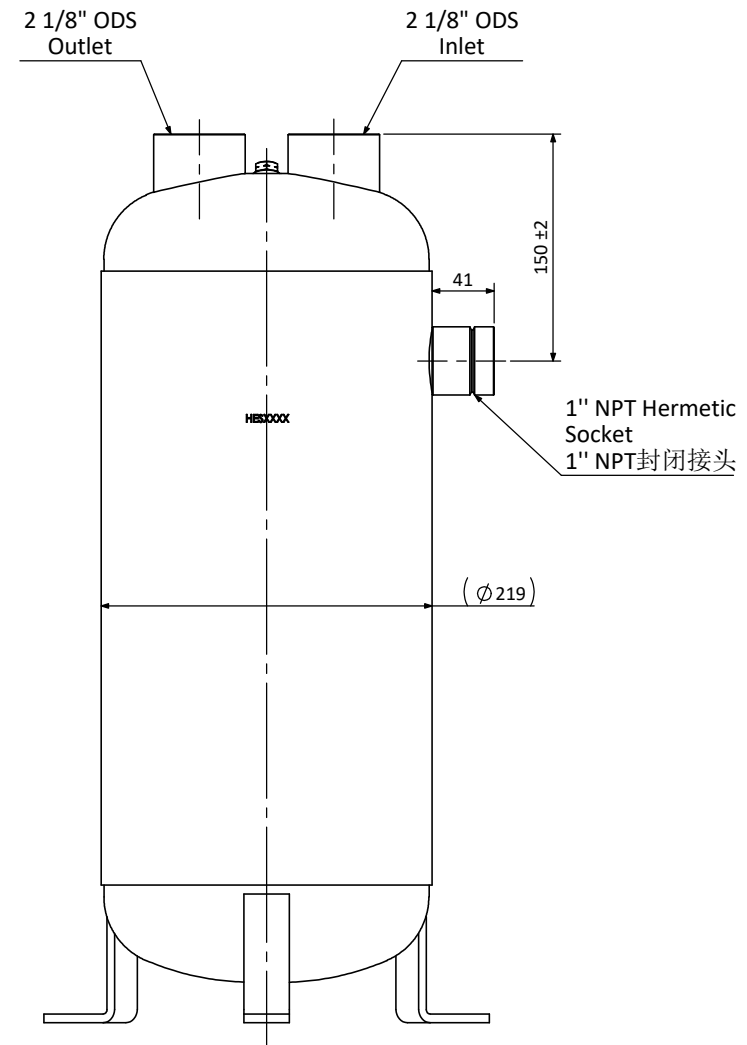
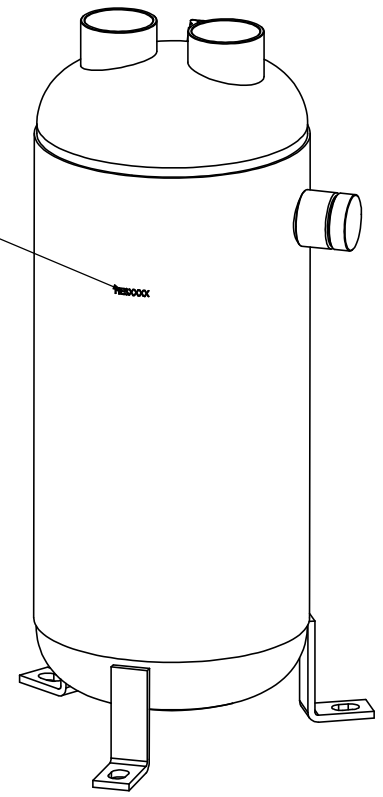
C

<input checked="" type="checkbox"/> PED 2014/68/EU	<input checked="" type="checkbox"/> AS2971.2	<input type="checkbox"/> UL207			
<input type="checkbox"/> CAT I	<input type="checkbox"/> CAT II	<input checked="" type="checkbox"/> CAT III			
Volume Ltrs	Shell ID mm	Design Pressure MPa	Leak Test Pressure MPa	Proof Test Pressure MPa	Min Burst Test Pressure MPa
17.5	Ø211	3.1	3.1	4.65	13.64

REV. 版本	ECN 工程变更通知	Description 变更描述	Name 变更人	Date 变更日期
B	ECN-HT20078	Add marking for hermetic plug	Angel Zhang	2020/11/9
C	ECN-HT24010	Media Type Group 1 was Group 2 PED Category CAT III was CAT II	Qiu Leixin	2024/5/9
D	ECN-HT25002	Design temperature updated from -30°C~50°C to -30°C~80°C	Qiu Leixin	2025/02/26



Stamp Manufacture Code and Date Code (HESXXXX)
冲印工厂生产代码和制造日期(HESXXXX)



- Technical Requirements:**
技术要求
- Design temperature -30°C to +80°C;
设计温度-30°C到+80°C;
 - Powder coating: Henry Blue RAL 5013.
喷涂颜色: 亨利蓝RAL 5013.

Description 产品名称	Suction Accumulator 2 1 / 8" ODS 气液分离器组件 2 1/8" ODS		
Drawing No. 图纸编号	M050505194	REV 版次	D
Material Master No. 物料编号	050505194	Drawing Size 图幅	A3
Material 材质	N/A	Sheet Number 页码	1/1
Attribute 属性	2 1/8" ODS	Third Angle Projection 第三视角	

Linear Dimensions 线性尺寸 (mm)	0 Decimal Place 整数	1 Decimal Place 1位小数	2 Decimal Place 2位小数	Angular Dimensions 角度尺寸	0 Decimal Place 整数	1 Decimal Place 1位小数	Estimated Weight 预估重量	N/A	Scale 比例	Unit 绘图单位
	±1.0	±0.2	±0.05		±2°	±0.5°				
Tolerance Unless Stated Otherwise 未注尺寸公差										

Approved_by 批准	Julian Parker	2025/02/26
Checked_by 审核	Leo Wu	2025/02/26
Drawn_by 绘图	Zhou Lei	2020/08/17

