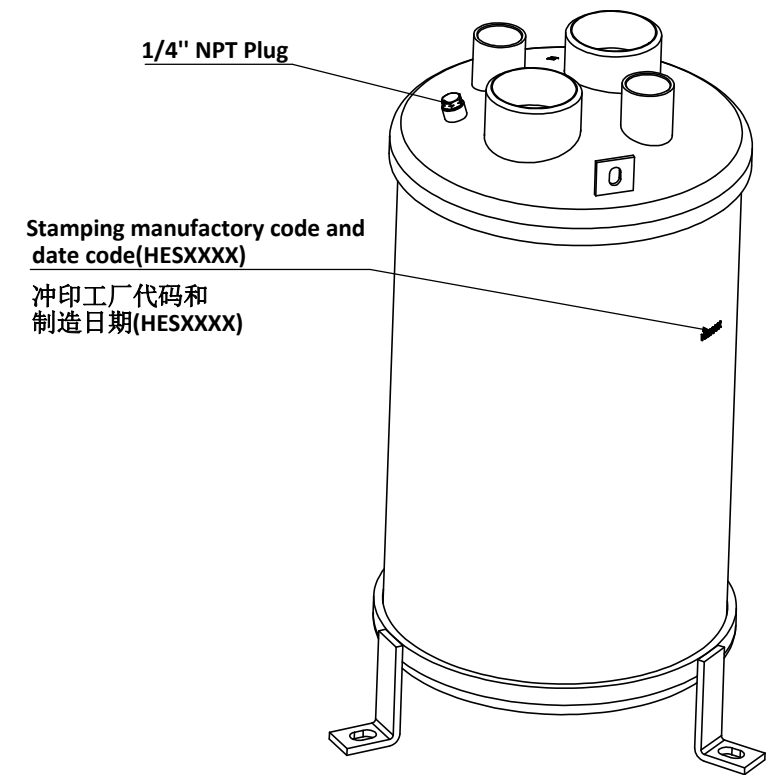
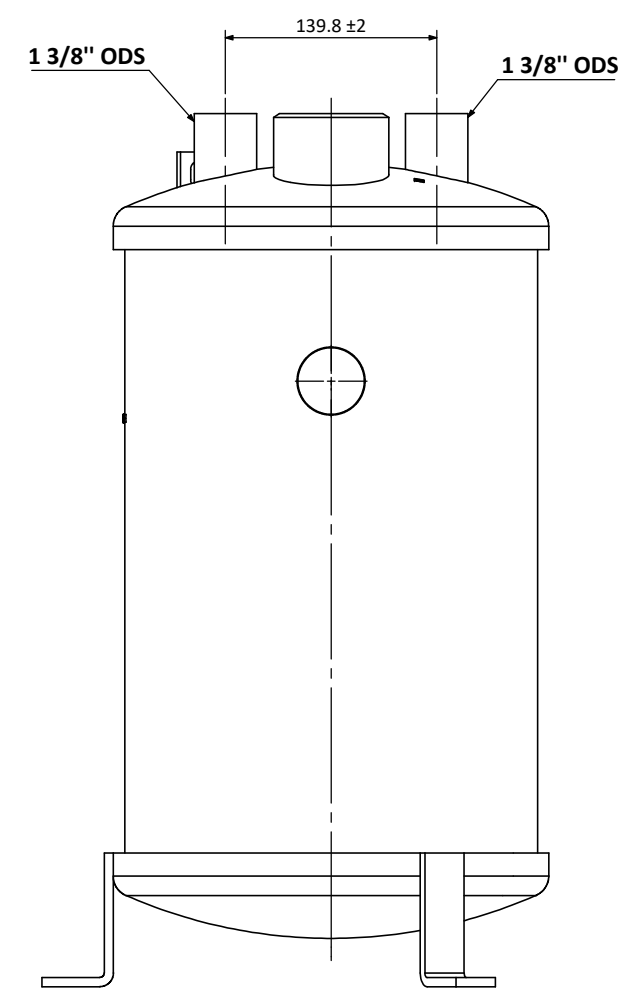
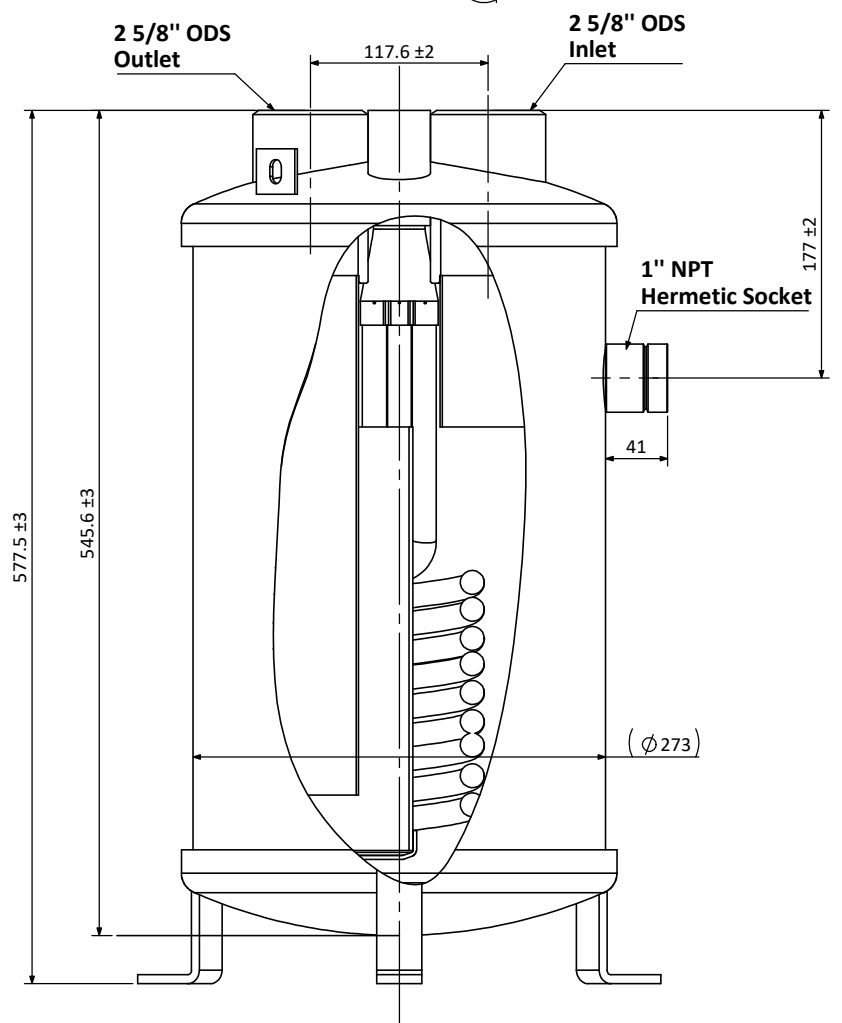
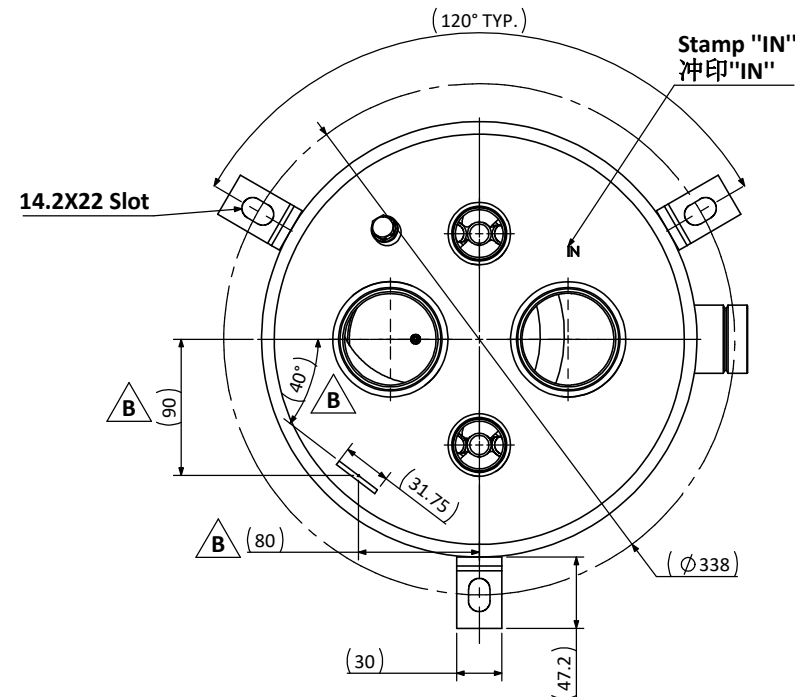


HGI Part No. S-7725HE-customer	03/03/2025 HENRY JTP APPROVED DOCUMENT	<input checked="" type="checkbox"/> PED 2014/68/EU <input checked="" type="checkbox"/> AS2971.2 <input type="checkbox"/> UL207				REV. 版本	ECN 工程变更通知	Description 变更描述	Name 变更人	Date 变更日期	
		<input type="checkbox"/> CAT I <input type="checkbox"/> CAT II <input checked="" type="checkbox"/> CAT III	Volume Ltrs	Shell ID mm	Design Pressure MPa	Leak Test Pressure MPa	Proof Test Pressure MPa	Min Burst Test Pressure MPa	Add the Lifting Lug	Qiu Leixin	2021/12/29
		27	Ø257	3.1	3.1	4.65	13.64	Media Type Group 1 was Group 2 PED Category CAT III was CAT II	Qiu Leixin	2024/5/9	
								Design temperature updated from -30°C~50°C to -30°C~80°C	Qiu Leixin	2025/02/26	



Stamping manufactory code and date code(HESXXXX)
冲印工厂代码和制造日期(HESXXXX)

Technical Requirements:
技术要求

- Allowable operating temperature -30°C to +80°C;
工作温度:-30°C到+80°C; △ D
- Powder coating: Henry Blue RAL 5013.
喷涂颜色: 亨利蓝RAL 5013。

Description 产品名称	Heat Exchange Suction Accumulator 2 5/8" ODS 气液分离器带热交换线圈2 5/8" ODS		
Drawing No. 图纸编号	M050505288	REV 版次	D
Material Master No. 物料编号	050505288	Drawing Size 图幅	A3
Material 材质	N/A	Sheet Number 页码	1/1
Attribute 属性	2 5/8" ODS	Third Angle Projection 第三视角	

Linear Dimensions 线性尺寸 (mm)	0 Decimal Place 整数	1 Decimal Place 1位小数	2 Decimal Place 2位小数	Angular Dimensions 角度尺寸	0 Decimal Place 整数	1 Decimal Place 1位小数	Ra 1.6 	Estimated Weight 预估重量	N/A	Approved_by 批准	Julian Parker	2025/02/26
	±1.0	±0.2	±0.05		±2°	±0.5°		Scale 比例	1:10	Checked_by 审核	Leo Wu	2025/02/26
Tolerance Unless Stated Otherwise 未注尺寸公差								Unit 绘图单位	mm	Drawn_by 绘图	Angel Zhang	2020/8/18

