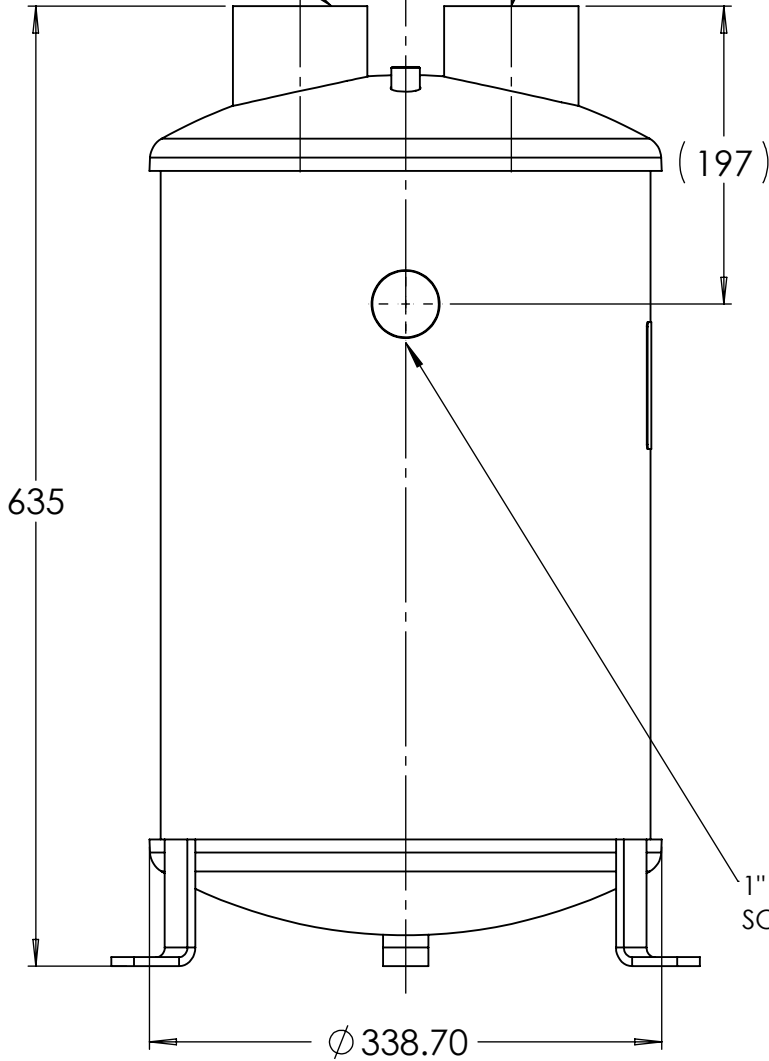
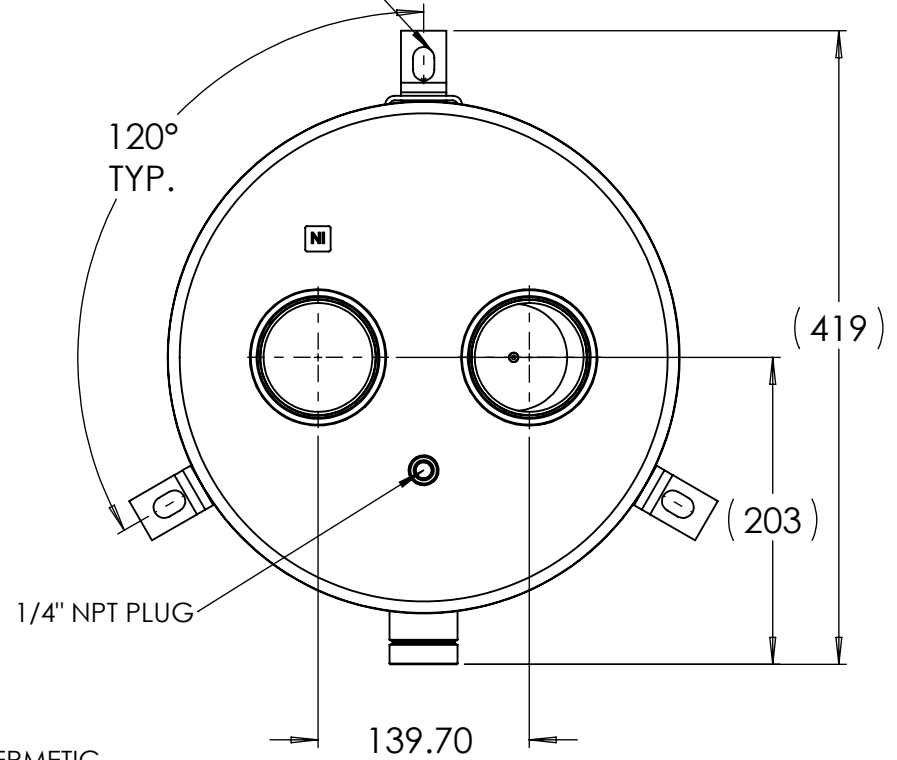


3 1/8" ODS INLET

3 1/8" ODS OUTLET



3 EQUI-SPACED SLOTS 14mm WIDE x 22mm LG. ON A Ø388 PCD



GENERAL TOLERANCES
 NO DECIMAL PLACES = ±1.5
 ONE DECIMAL PLACE = ±1.0
 TWO DECIMAL PLACES = ±0.5

ALL DIMENSIONS IN mm
 ANGULAR = ±2°
 ALL UNSPECIFIED ANGLES SHALL BE 45°

1" NPT HERMETIC SOCKET

1/4" NPT PLUG

120° TYP.

Component Parameters

Maximum Working Pressure (Temperature range):

31 bar = (-10C to +80C)

16.5 bar = (-30C to <-10C)

Paint Colour: Blue

Certification: CE & UKCA (Category IV)

CONNECTION SIZE 3 1/8"	MATERIAL Carbon Steel
DESCRIPTION OF EQUIPMENT Suction Line Accumulator (3 1/8" ODS)	
PART NUMBER S-7731	CURRENT ACTIVE REVISION A
SCALE 1:5	
DRAWN M. Rapach	
DATE 11/1/24	
CUSTOMER DRAWING	DRAWING No. S-7731-Cust
	REVISION A