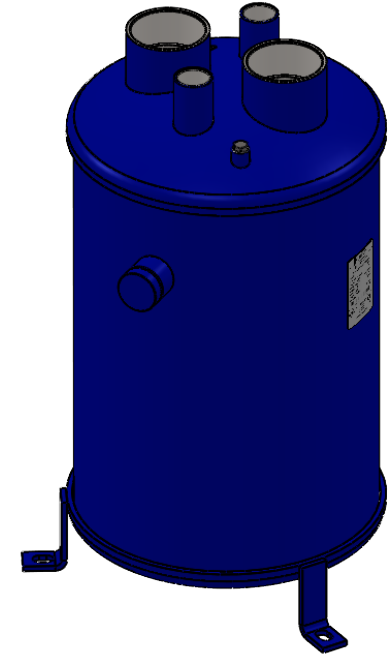
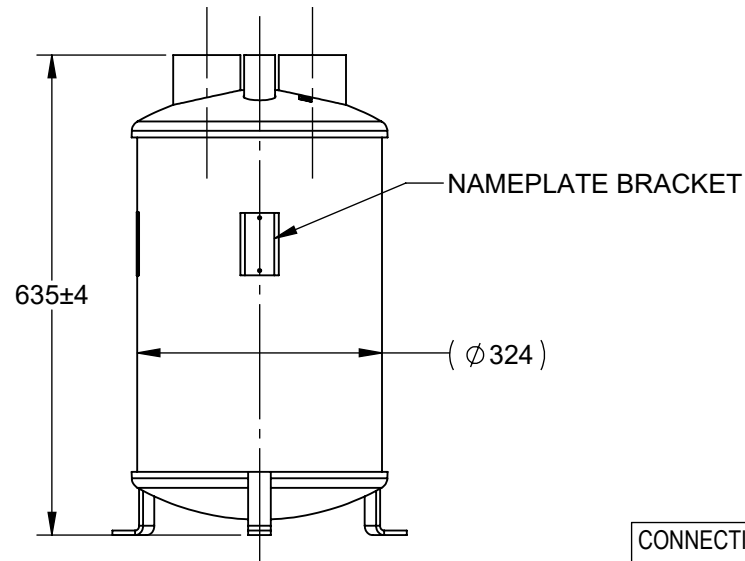
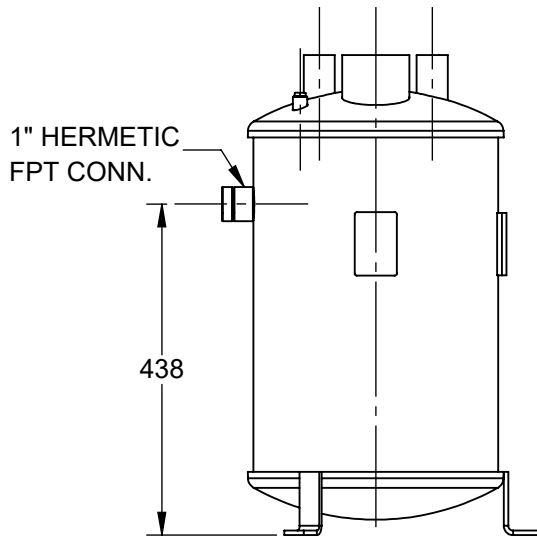
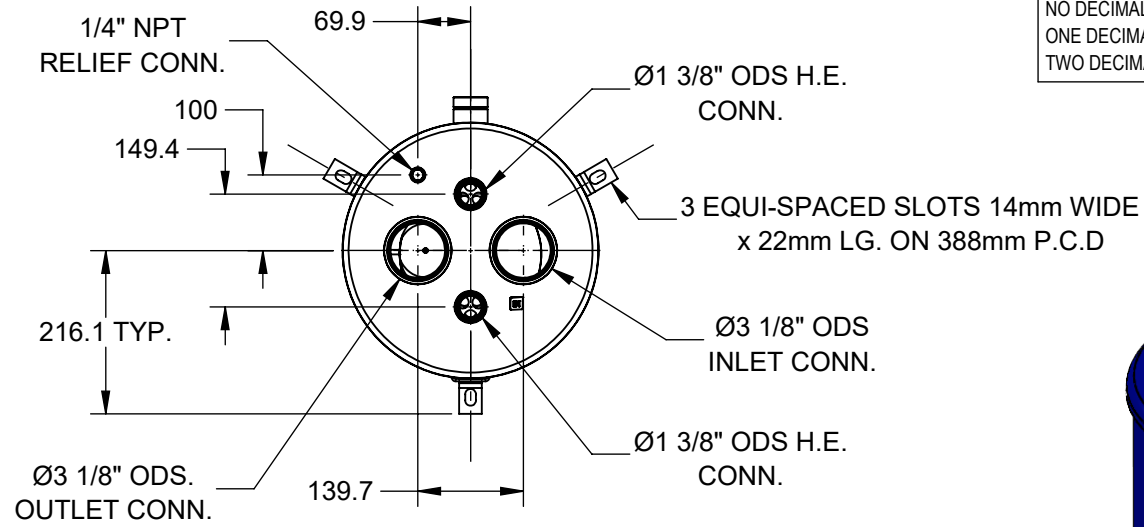




GENERAL TOLERANCES	ALL DIMENSIONS IN mm
NO DECIMAL PLACES = ±1.5	ANGULAR = ±2°
ONE DECIMAL PLACE = ±1.0	ALL UNSPECIFIED
TWO DECIMAL PLACES = ±0.5	ANGLES SHALL BE 45°



NOTES:

1. CE/UKCA CAT: CAT IV VESSEL
2. FLUID GROUP: 1 & 2
3. DESIGN PRESSURE; 31 BAR (450 PSI)
4. TEST PRESSURE; 44.3 BAR (645 PSI)
5. TEMPERATURE RANGE: -10°C to +80°C
6. PAINT BLUE

CONNECTION SIZE	MATERIAL	
-	-	
DESCRIPTION OF EQUIPMENT		
3 1/8" ODS H.E. ACCUMULATOR		
PART NUMBER	S-7731HE	CURRENT ACTIVE REVISION C
SCALE	1:10	
DRAWN	R.Mulholland	
DATE	25/01/24	
CUSTOMER DRAWING	DRAWING No.	REVISION
	S-7731HE-Cust	A

