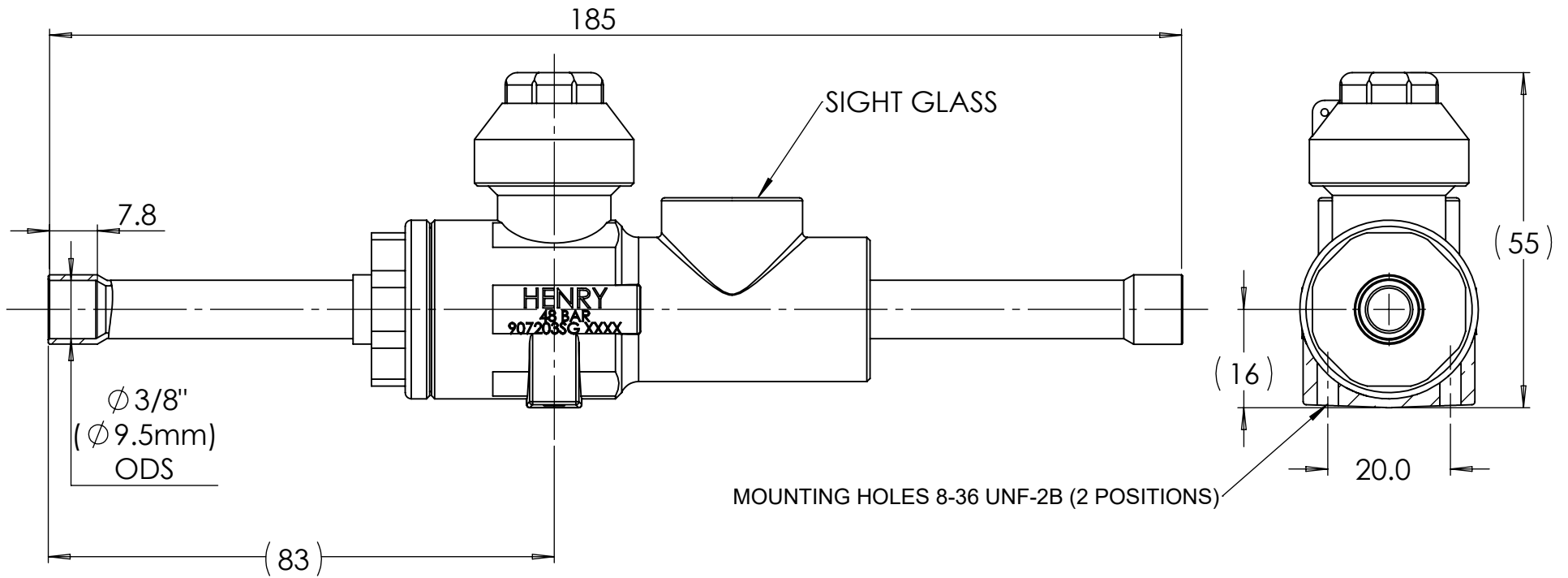




GENERAL TOLERANCES	ALL DIMENSIONS IN mm
NO DECIMAL PLACES = ±1.5	ANGULAR = ±2°
ONE DECIMAL PLACE = ±1.0	ALL UNSPECIFIED
TWO DECIMAL PLACES = ±0.5	ANGLES SHALL BE 45°



MOUNTING HOLES 8-36 UNF-2B (2 POSITIONS)

NOTES:

1. MAXIMUM WORKING PRESSURE: 60 BARG
2. OPERATING TEMPERATURE: -40°C to +120°C
3. CO<sub>2</sub>, HCFC & HFC COMPATIBLE
4. BI-DIRECTIONAL FLOW

CONNECTION SIZE 3/8" ODS	MATERIAL	
DESCRIPTION OF EQUIPMENT <b>3/8" (9.5mm) ODS Ball Valve, Sight Glass</b>		
PART NUMBER 907203SG	CURRENT ACTIVE REVISION A	
SCALE 1:1		
DRAWN M. Rapach		
DATE 1/11/2023		
CUSTOMER DRAWING	DRAWING No. <b>907203SG-Cust</b>	REVISION <b>A</b>