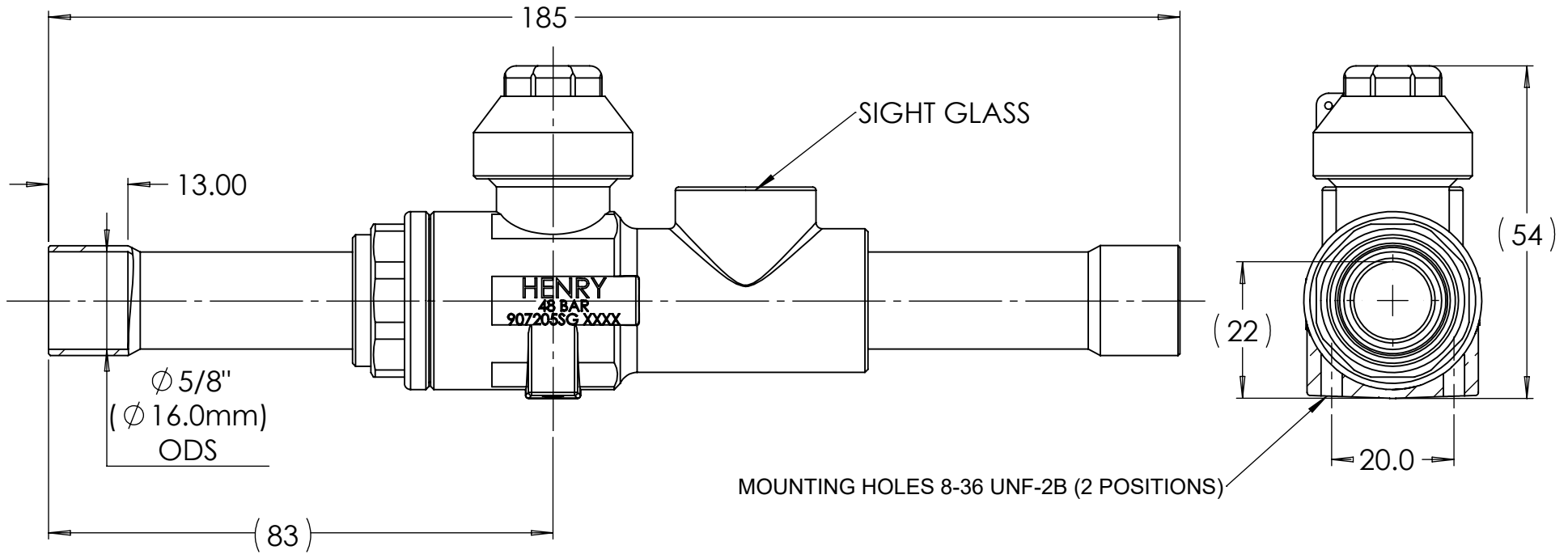




GENERAL TOLERANCES	ALL DIMENSIONS IN mm
NO DECIMAL PLACES = ±1.5	ANGULAR = ±2°
ONE DECIMAL PLACE = ±1.0	ALL UNSPECIFIED
TWO DECIMAL PLACES = ±0.5	ANGLES SHALL BE 45°



NOTES:

1. MAXIMUM WORKING PRESSURE: 60 BARG
2. OPERATING TEMPERATURE: -40°C to +120°C
3. CO₂, HCFC & HFC COMPATIBLE
4. BI-DIRECTIONAL FLOW

CONNECTION SIZE 5/8" ODS	MATERIAL
DESCRIPTION OF EQUIPMENT 5/8" (16.0mm) ODS Ball Valve, Sight Glass	
PART NUMBER 907205SG	CURRENT ACTIVE REVISION A
SCALE 1:1	 HILLINGTON, GLASGOW, UK
DRAWN M. Rapach	
DATE 7/11/2023	
CUSTOMER DRAWING	DRAWING No. 907205SG-Cust
	REVISION A