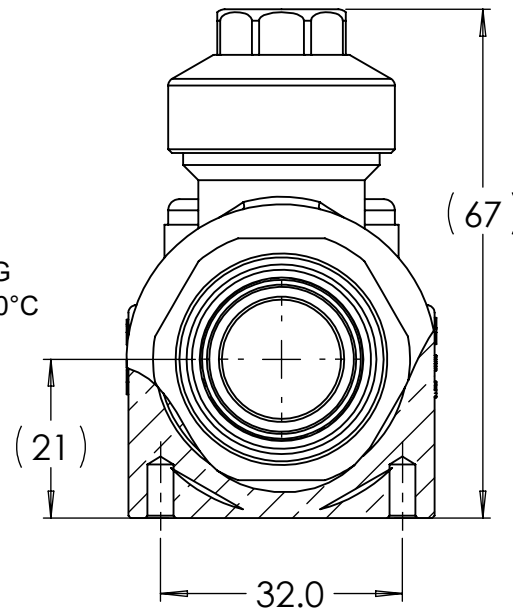
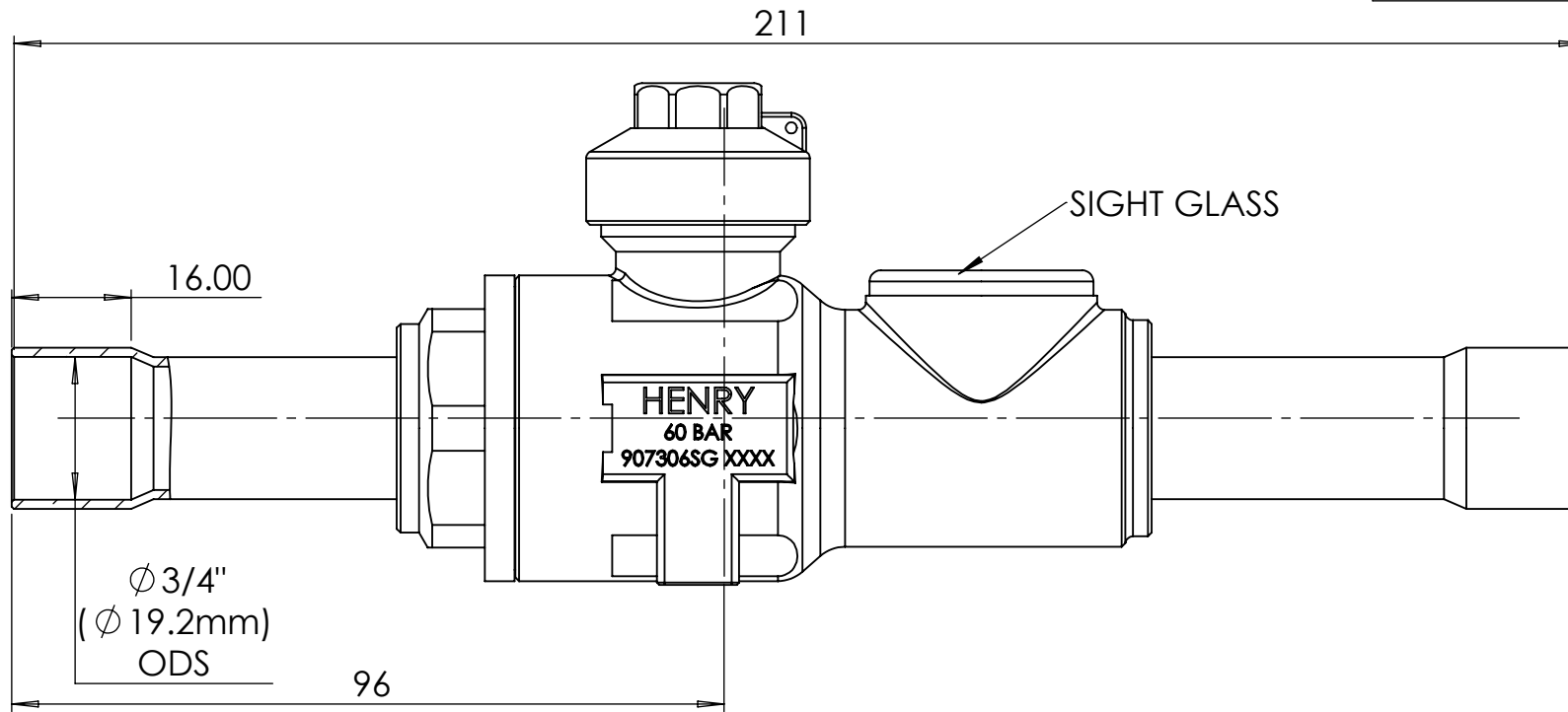




GENERAL TOLERANCES
 NO DECIMAL PLACES = ±1.5
 ONE DECIMAL PLACE = ±1.0
 TWO DECIMAL PLACES = ±0.5

ALL DIMENSIONS IN mm
 ANGULAR = ±2°
 ALL UNSPECIFIED
 ANGLES SHALL BE 45°



NOTES:

1. MAXIMUM WORKING PRESSURE: 60 BARG
2. OPERATING TEMPERATURE: -40°C to +120°C
3. CO₂, HCFC & HFC COMPATIBLE
4. BI-DIRECTIONAL FLOW

CONNECTION SIZE	MATERIAL	
3/4" ODS		
DESCRIPTION OF EQUIPMENT		
3/4" (19.2mm) ODS Ball Valve, Sight Glass		
PART NUMBER	907306SG	CURRENT ACTIVE REVISION A
SCALE	1:1	
DRAWN	M. Rapach	
DATE	7/11/2023	
CUSTOMER DRAWING	DRAWING No. 907306SG-Cust	REVISION A