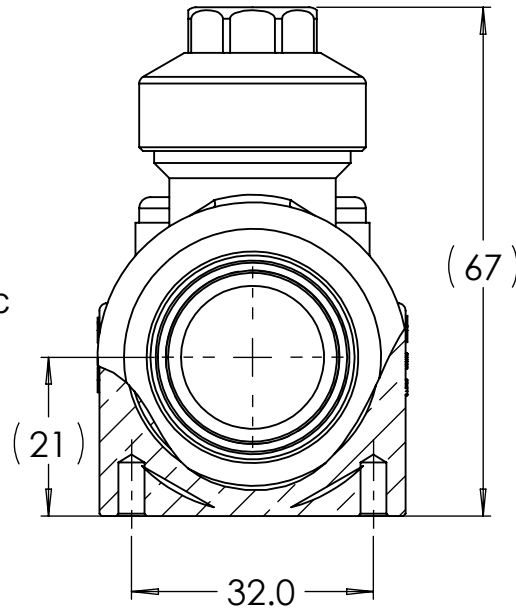
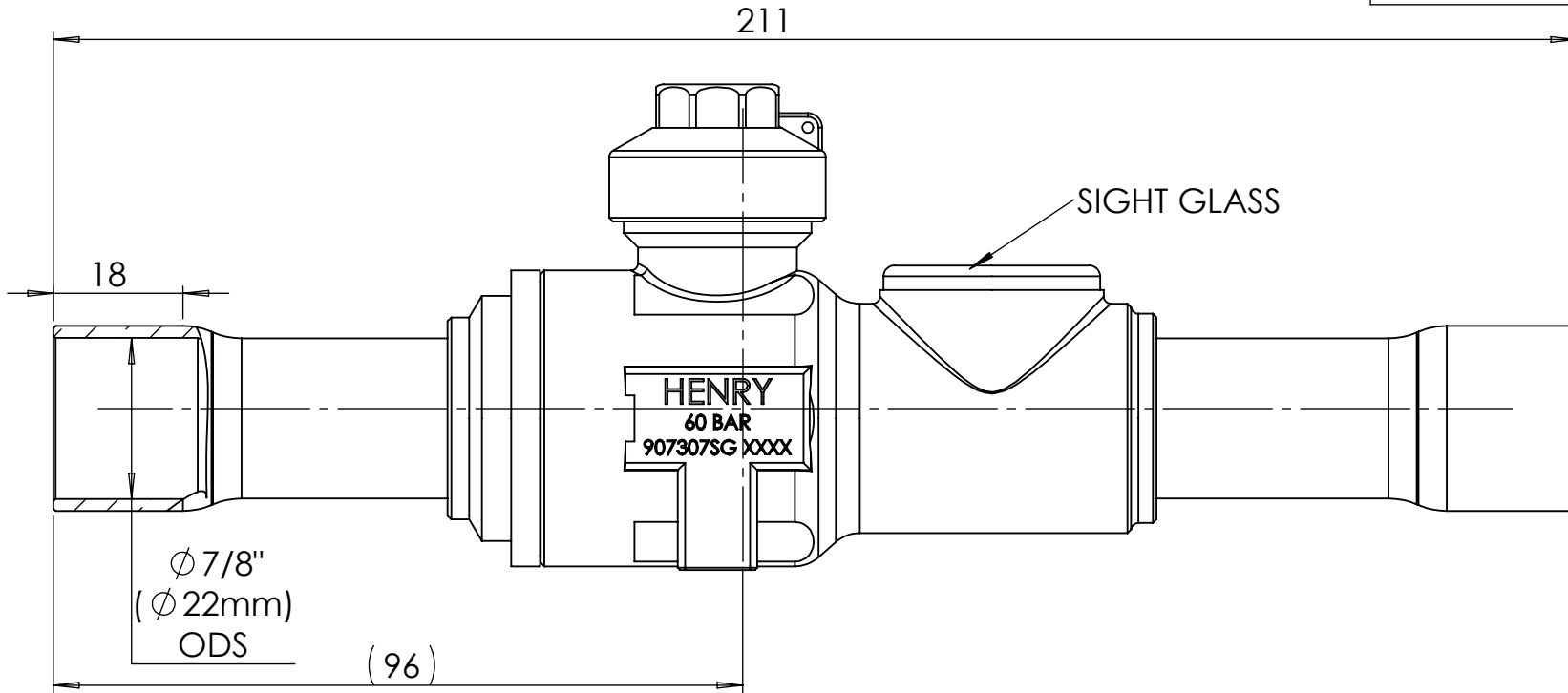





GENERAL TOLERANCES  
 NO DECIMAL PLACES = ±1.5  
 ONE DECIMAL PLACE = ±1.0  
 TWO DECIMAL PLACES = ±0.5

ALL DIMENSIONS IN mm  
 ANGULAR = ±2°  
 ALL UNSPECIFIED  
 ANGLES SHALL BE 45°



NOTES:

1. MAXIMUM WORKING PRESSURE: 60 BARG
2. OPERATING TEMPERATURE: -40°C to +120°C
3. CO<sub>2</sub>, HCFC & HFC COMPATIBLE
4. BI-DIRECTIONAL FLOW

CONNECTION SIZE 7/8" ODS	MATERIAL
DESCRIPTION OF EQUIPMENT <b>7/8" (22mm) ODS Ball Valve, Sight Glass</b>	
PART NUMBER 907307SG	CURRENT ACTIVE REVISION A
SCALE 1:1	 <b>HILLINGTON, GLASGOW, UK</b>
DRAWN M. Rapach	
DATE 7/11/2023	
CUSTOMER DRAWING	DRAWING No. <b>907307SG-Cust</b>
	REVISION <b>A</b>