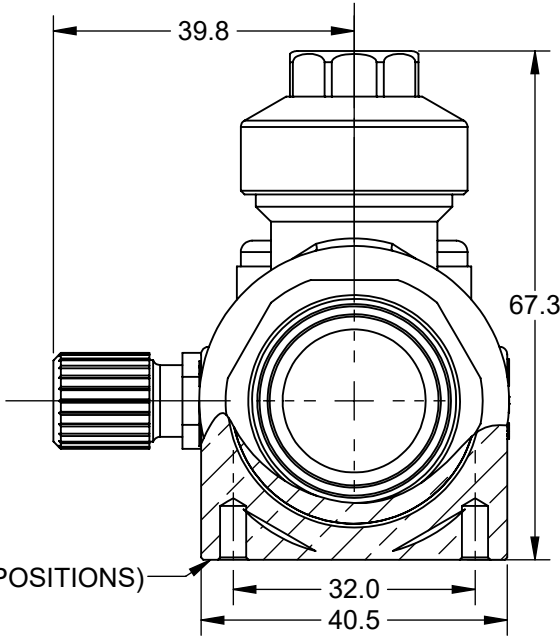
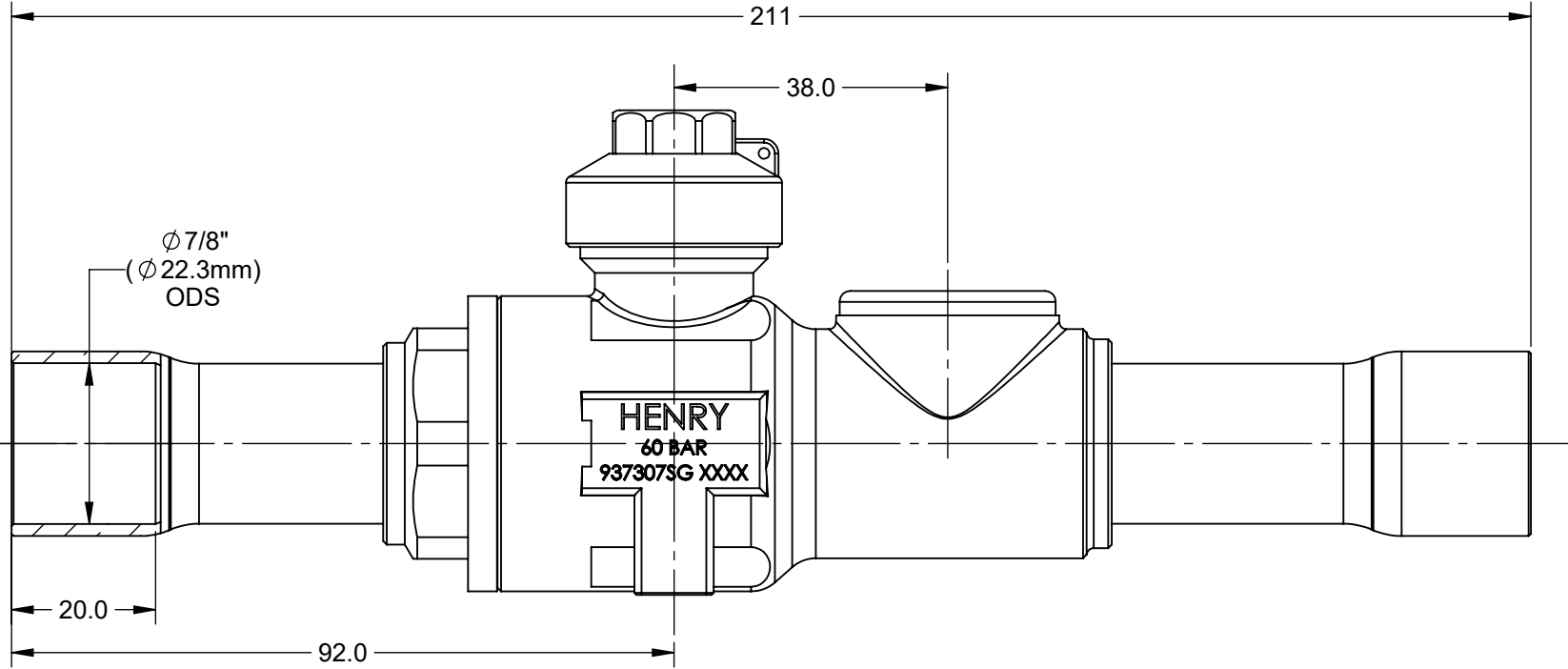



GENERAL TOLERANCES	ALL DIMENSIONS IN mm
NO DECIMAL PLACES = ±1.5	ANGULAR = ±2°
ONE DECIMAL PLACE = ±1.0	ALL UNSPECIFIED
TWO DECIMAL PLACES = ±0.5	ANGLES SHALL BE 45°



MOUNTING HOLES 8-36 UNF-2B (2 POSITIONS)

- NOTES:
1. MAXIMUM WORKING PRESSURE: 60 BARG
  2. OPERATING TEMPERATURE: -40°C to +120°C
  3. CO<sub>2</sub>, HCFC & HFC COMPATIBLE
  4. BI-DIRECTIONAL FLOW

CONNECTION SIZE 7/8" ODS	MATERIAL
DESCRIPTION OF EQUIPMENT <b>7/8" (22.3mm) ODS Ball Valve, Sight Glass (Schrader)</b>	
PART NUMBER 937307SG	CURRENT ACTIVE REVISION A
SCALE 1:1	 <b>HILLINGTON, GLASGOW, UK</b>
DRAWN R.Muholland	
DATE 21/09/23	
CUSTOMER DRAWING	DRAWING No. <b>937307SG-Cust</b> REVISION <b>A</b>