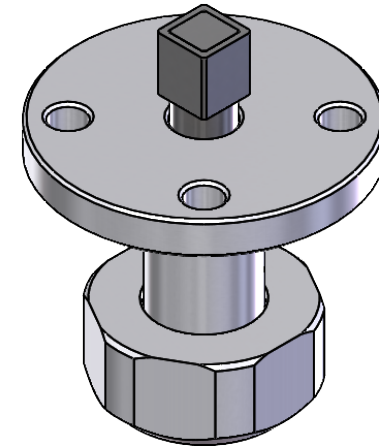
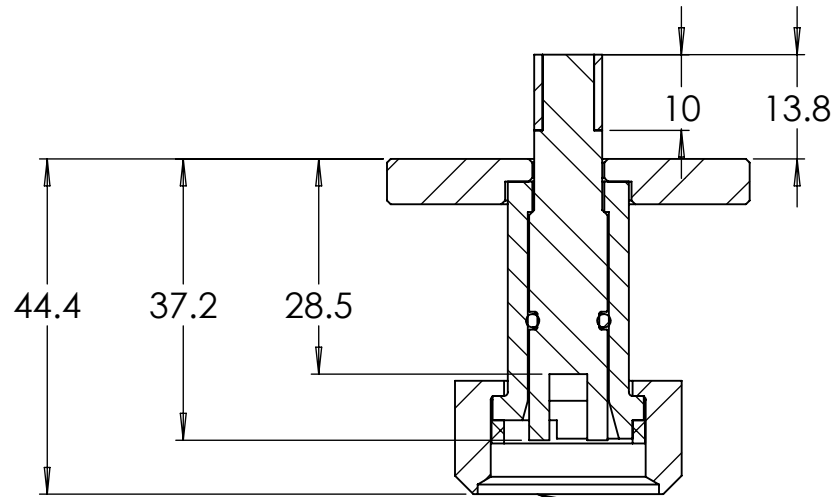
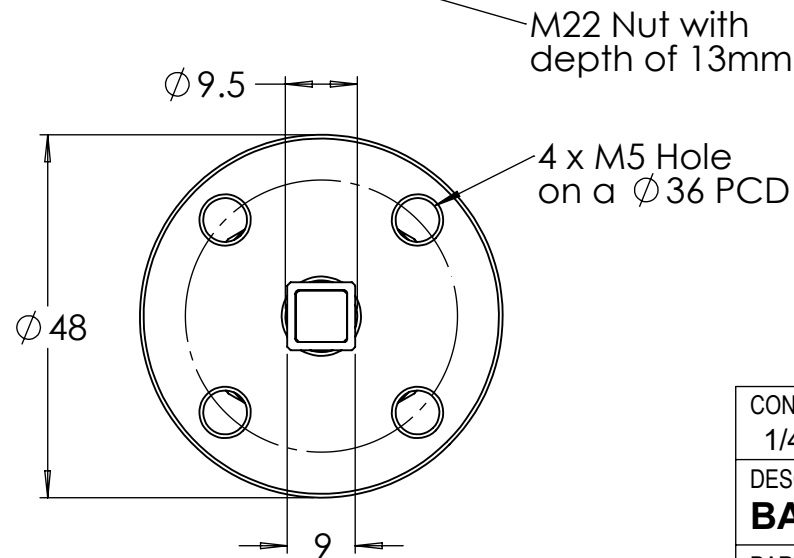




GENERAL TOLERANCES	ALL DIMENSIONS IN mm
NO DECIMAL PLACES = ±1.5	ANGULAR = ±2°
ONE DECIMAL PLACE = ±1.0	ALL UNSPECIFIED
TWO DECIMAL PLACES = ±0.5	ANGLES SHALL BE 45°



ISOMETRIC VIEW



NOTES:

- PROVIDES SECONDARY SEALING FUNCTION UP TO 130 BAR
- ALLOWS INTERFACE WITH ISO-5211 COMPLIANT ACTUATOR
- METAL USED: PLATED CARBON STEEL

CONNECTION SIZE 1/4" - 5/8"	MATERIAL -	
DESCRIPTION OF EQUIPMENT BALL VALVE ADAPTOR KIT (1/4" to 5/8")		
PART NUMBER BVAK-002	CURRENT ACTIVE REVISION A	
SCALE 1:1		
DRAWN M. Rapach		
DATE 9/4/26		
CUSTOMER DRAWING	DRAWING No. BVAK_002-Cust	REVISION A