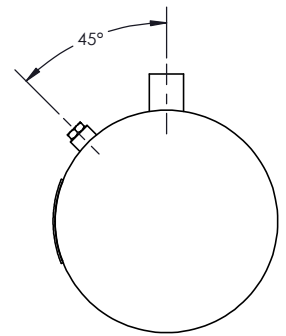
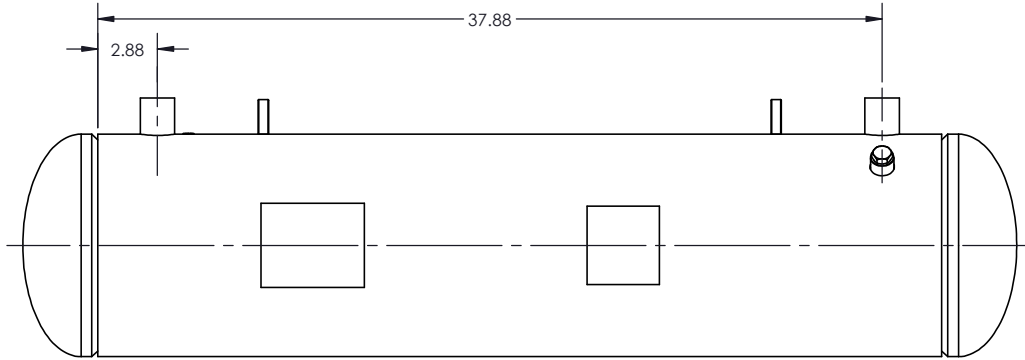
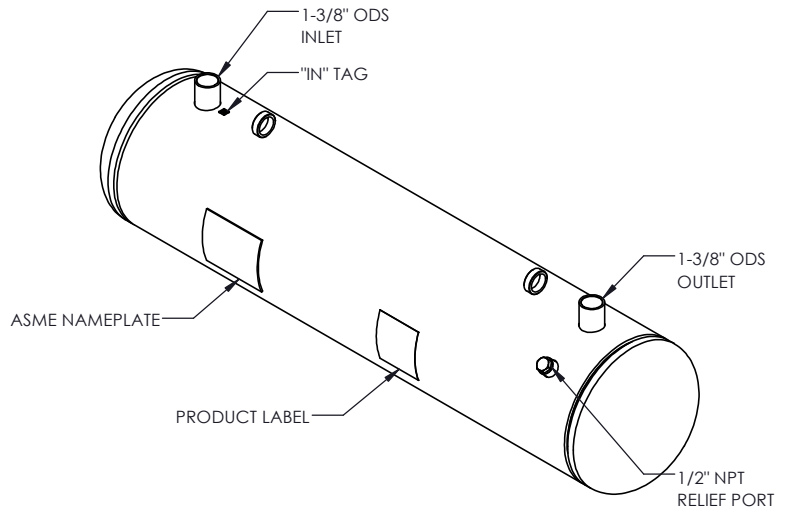
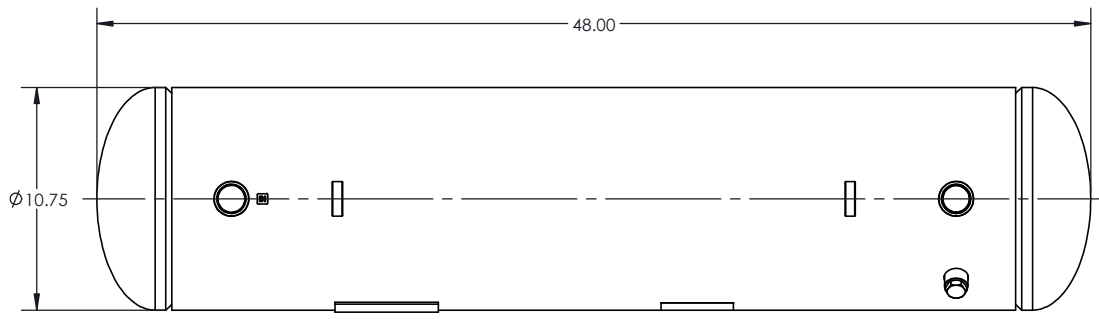



8 7 6 5 4 3 2 1



- NOTES:**
1. MAX. WORKING PRESSURE 450 PSIG.
 2. DESIGN TEMPERATURE -20°F TO 250°F.
 3. FINISH: BLACK PAINT.
 4. INTERNAL VOLUME: 2.187 CUBIC FEET

TOLERANCES UNLESS OTHERWISE SPECIFIED 0.000 = ±.005, 0.0/0.00/0.00 = ±.065, ANG = ±2°, (0.00) = REF		NEXT ASSY.:	SIM. TO:
3RD ANGLE PROJECTION		STOCK SIZE:	MATERIAL:
COMMENTS:		SIZE: 10.75"OD X 48"LG	WEIGHT: 122.156 LBS
PROPRIETARY AND CONFIDENTIAL THE INFORMATION CONTAINED IN THIS DRAWING IS THE SOLE PROPERTY OF HENRY TECHNOLOGIES. ANY REPRODUCTION IN PART OR AS A WHOLE WITHOUT THE WRITTEN PERMISSION OF HENRY TECHNOLOGIES IS PROHIBITED.		DESCRIPTION: HORIZONTAL RECEIVER, 10.75" X 48"	
Other: H:\ASSYS\		SHEET: 1 OF 1	 HENRY <small>®</small>
		SCALE: 1:6	
		DRAWN: DR	
		DATE: 8/27/1991	DRAWING NO./PART NO.:
		APPROVED:	S-8700-CUST
			REV: -

8 7 6 5 4 3 2 1