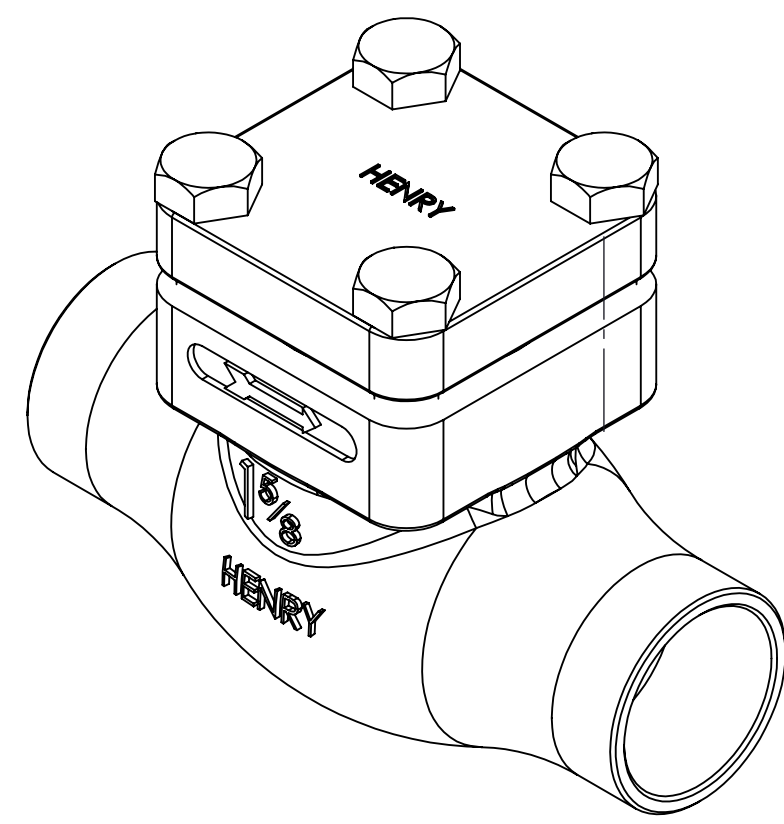
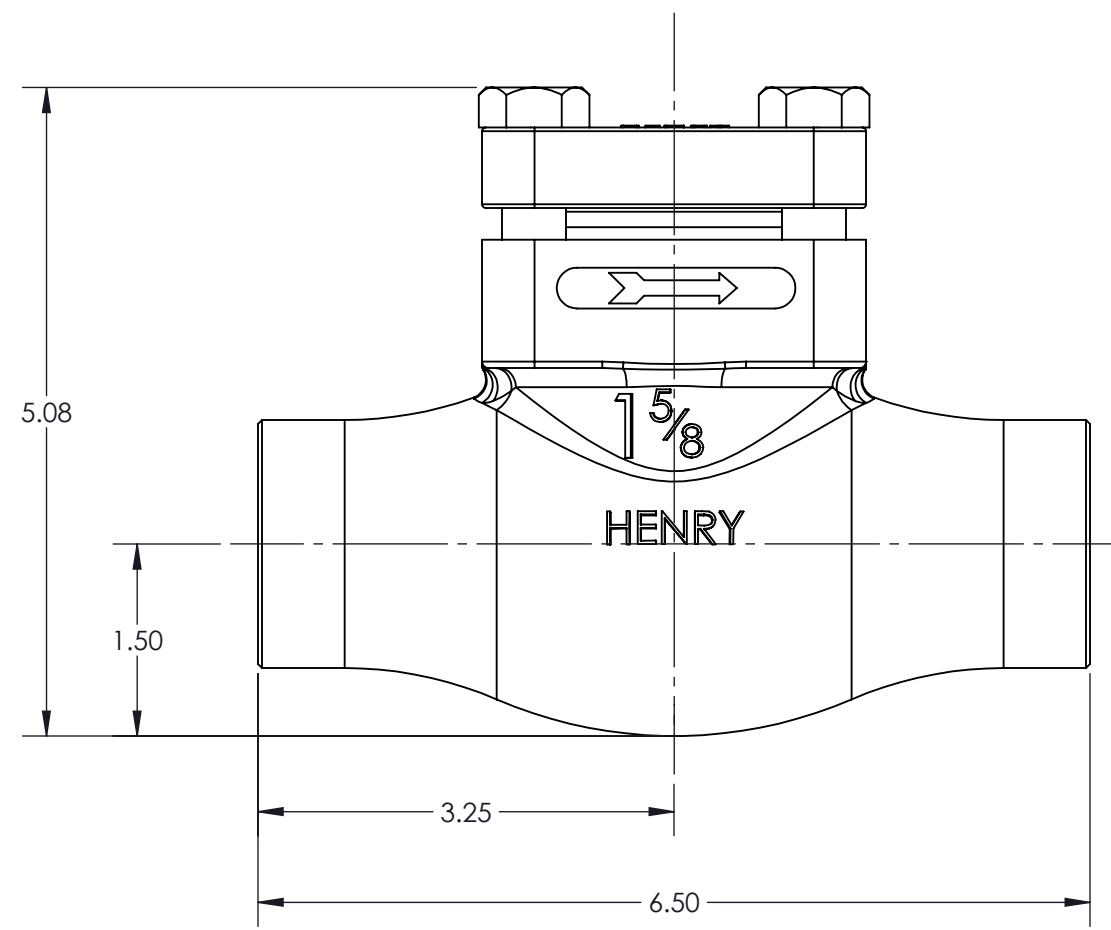
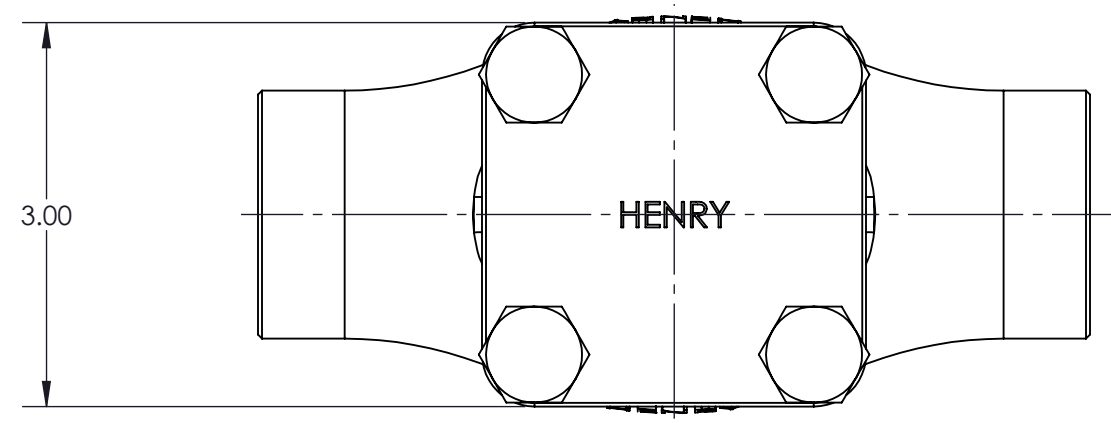


8 7 6 5 4 3 2 1

D
C
B
A



NOTES:

1. MAXIMUM WORKING PRESSURE : 500 PSIG.
2. ALLOWABLE OPERATING TEMPERATURE: -20°F to 300°F.
3. GASKET AND CAUTION TAG TO BE SEALED IN THE PLASTIC BAG AND SHIPPED LOOSE WITH VALVE.

TOLERANCES UNLESS OTHERWISE SPECIFIED
 LINEAR=±.030, ANGULAR=±2°

3RD ANGLE PROJECTION

COMMENTS:

PROPRIETARY AND CONFIDENTIAL
 THE INFORMATION CONTAINED IN THIS DRAWING
 IS THE SOLE PROPERTY OF HENRY TECHNOLOGIES.
 ANY REPRODUCTION IN PART OR AS A WHOLE
 WITHOUT THE WRITTEN PERMISSION OF HENRY
 TECHNOLOGIES IS PROHIBITED.

NEXT ASSY.:	SIM. TO:
STOCK SIZE:	MATERIAL: CAST BRONZE
SIZE:	WEIGHT:
DESCRIPTION:	
CHECK VALVE 1-5/8" ODS	
SHEET: 1 OF 1	
SCALE: 2:3	
DRAWN: KD	DRAWING NO./PART NO.:
DATE: 9/25/2024	
APPROVED:	205-1-5/8-CUST
	REV: -

Other: H:\HENRY\ValveAssy\

8 7 6 5 4 3 2 1