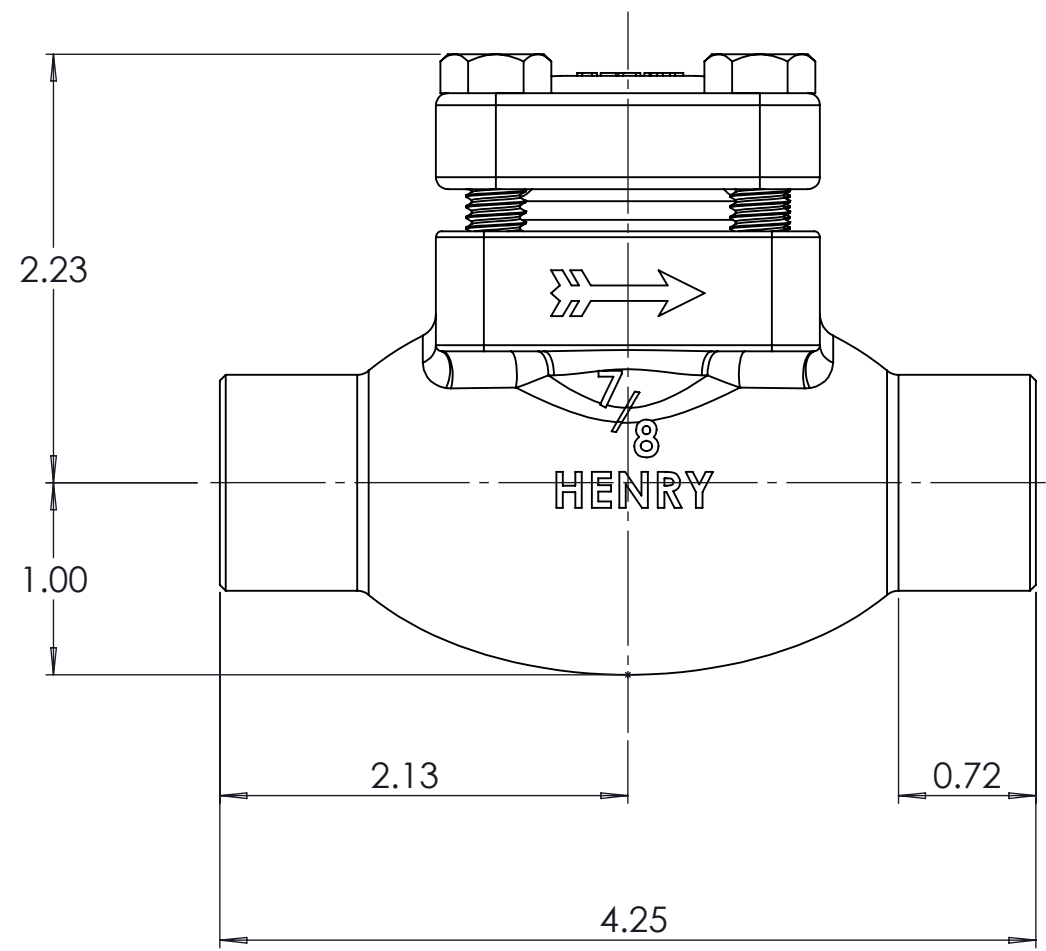
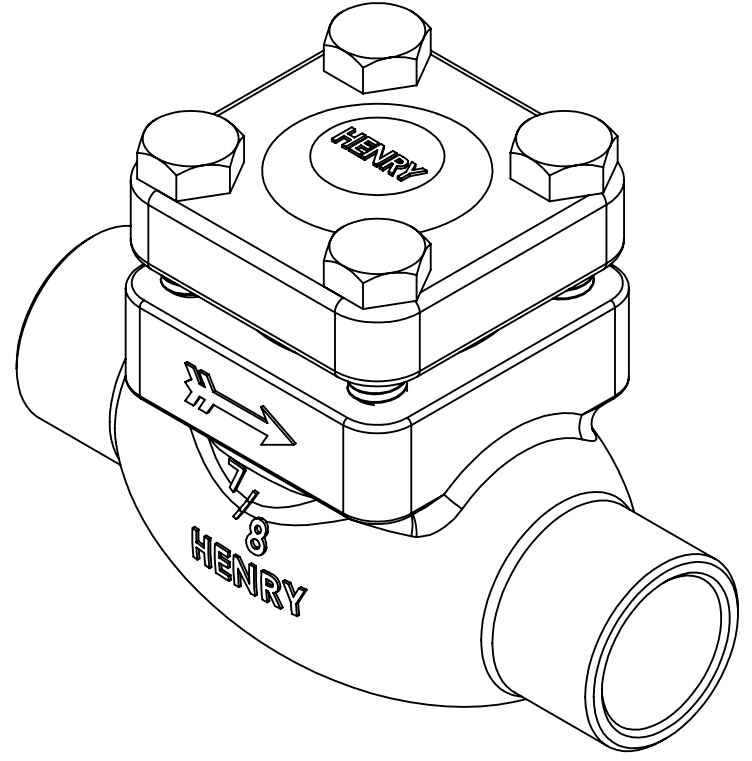
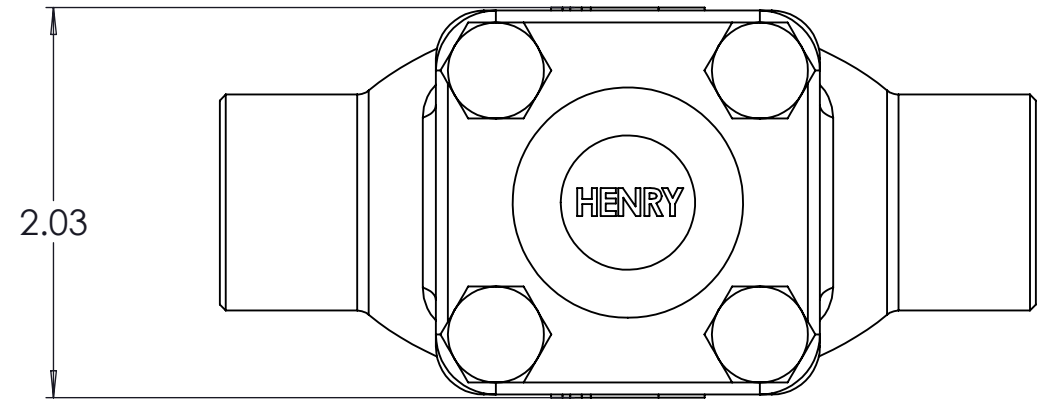


8 7 6 5 4 3 2 1

D
C
B
A



NOTES:


1. MAXIMUM WORKING PRESSURE : 500 PSIG.
2. ALLOWABLE OPERATING TEMPERATURE: -20°F to 300°F.
3. GASKET AND CAUTION TAG TO BE SEALED IN THE PLASTIC BAG AND SHIPPED LOOSE WITH VALVE.

TOLERANCES UNLESS OTHERWISE SPECIFIED
LINEAR=±.030, ANGULAR=±2°

3RD ANGLE PROJECTION

COMMENTS:

PROPRIETARY AND CONFIDENTIAL
THE INFORMATION CONTAINED IN THIS DRAWING IS THE SOLE PROPERTY OF HENRY TECHNOLOGIES. ANY REPRODUCTION IN PART OR AS A WHOLE WITHOUT THE WRITTEN PERMISSION OF HENRY TECHNOLOGIES IS PROHIBITED.

NEXT ASSY.:	SIM. TO:	
STOCK SIZE:	MATERIAL: CAST BRONZE	
SIZE: 7/8" O.D.S	WEIGHT: 2.48 LBS	
DESCRIPTION:		
CHECK VALVE 7/8" ODS		
SHEET: 1 OF 1		
SCALE: 1:1		
DRAWN: KD		
DATE: 09/06/2024		
APPROVED:	DRAWING NO./PART NO.:	REV:
	205-7/8-CUST	-

Other: H:\HENRY\ValveAssy

8 7 6 5 4 3 2 1