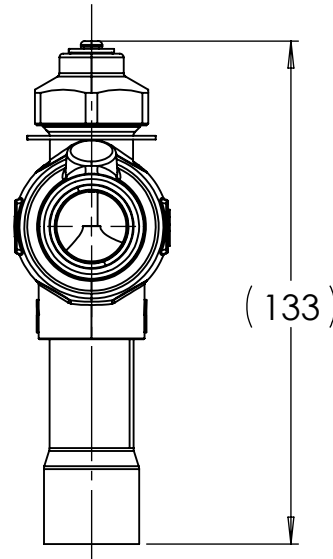
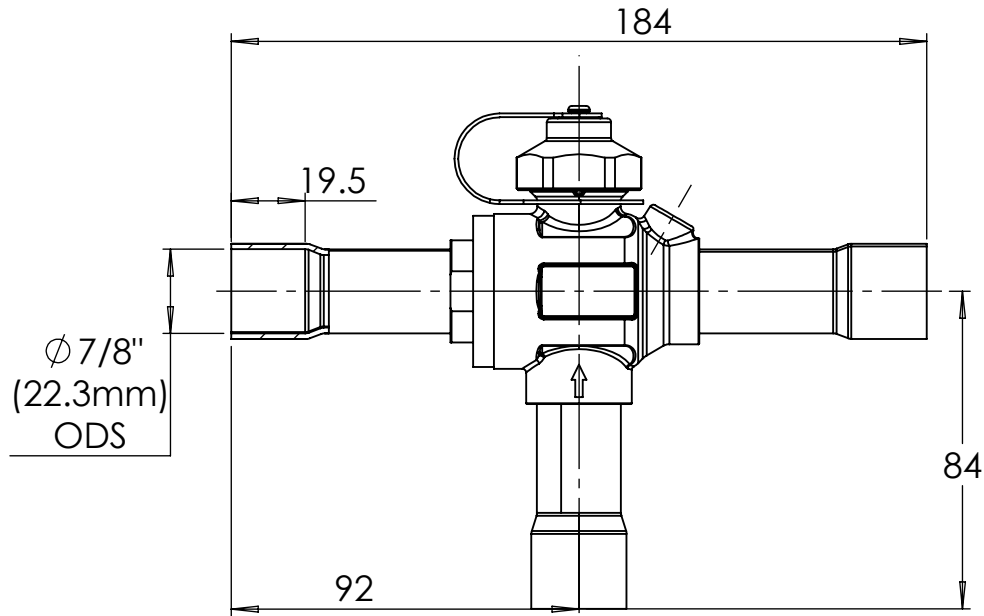




GENERAL TOLERANCES	ALL DIMENSIONS IN mm
NO DECIMAL PLACES = ±1.5	ANGULAR = ±2°
ONE DECIMAL PLACE = ±1.0	ALL UNSPECIFIED
TWO DECIMAL PLACES = ±0.5	ANGLES SHALL BE 45°



NOTES:  
 Maximum Working Pressure: 130 bar  
 Operating Temperature: -40°C to +150°C  
 Leak Test Pressure: 130 bar  
 CO2 Compatible

CONNECTION SIZE 7/8"	MATERIAL
DESCRIPTION OF EQUIPMENT <b>7/8" ODS 3-Way Ball Valve</b>	
PART NUMBER 957307TH	CURRENT ACTIVE REVISION A
SCALE 1:2	
DRAWN M. Rapach	
DATE 21/11/24	
CUSTOMER DRAWING	DRAWING No. <b>957307TH-Cust</b> REVISION <b>A</b>