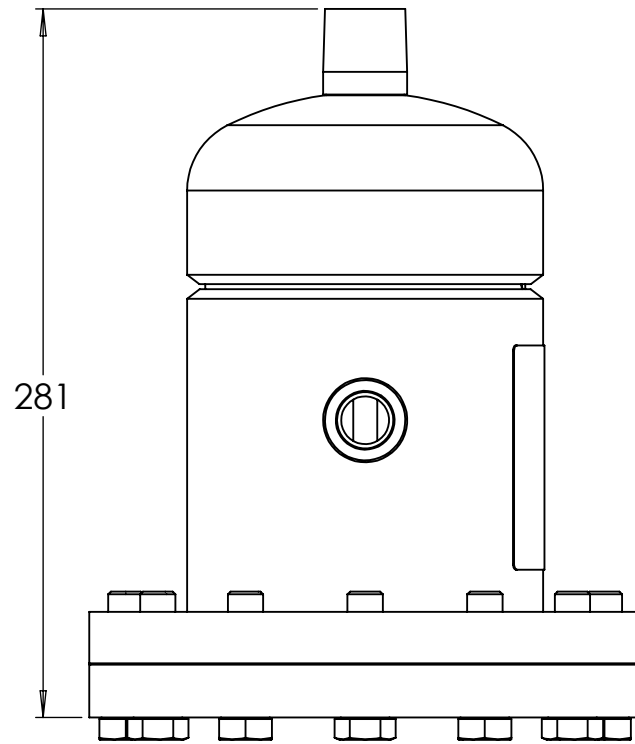
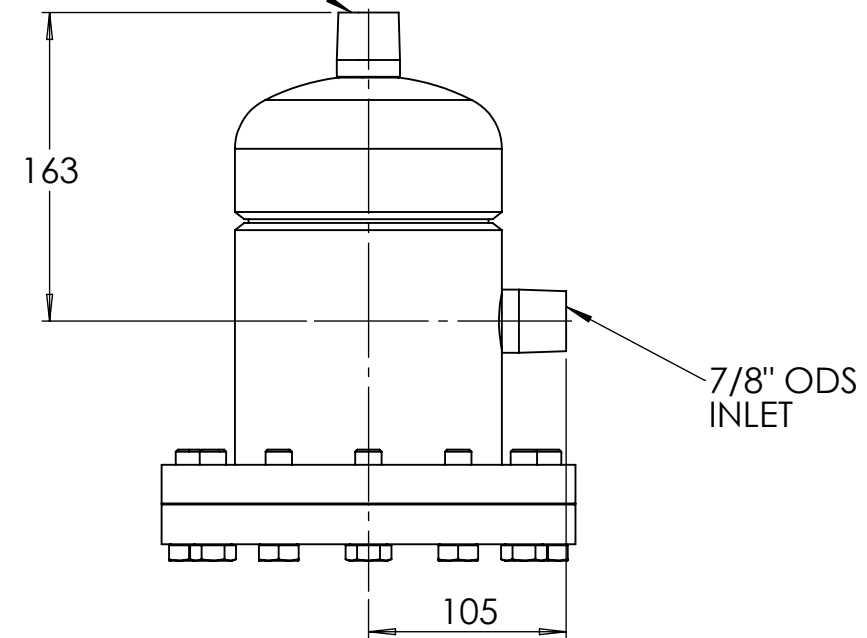




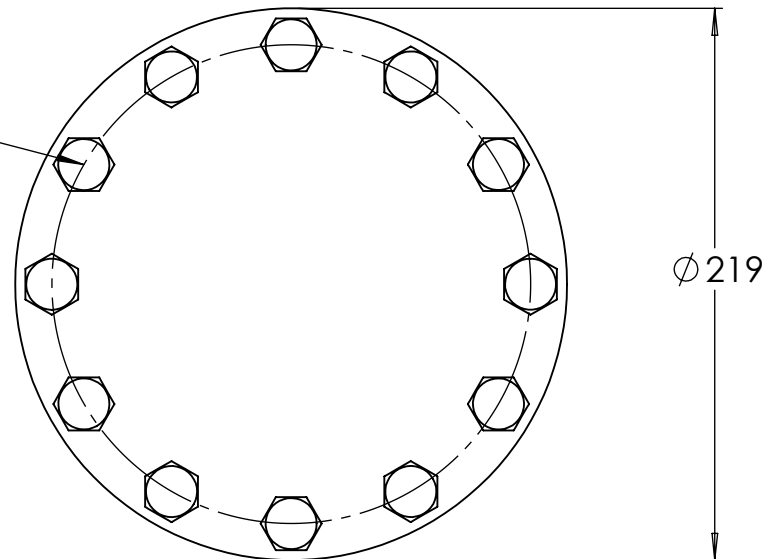
GENERAL TOLERANCES	ALL DIMENSIONS IN mm
NO DECIMAL PLACES = ±1.5	ANGULAR = ±2°
ONE DECIMAL PLACE = ±1.0	ALL UNSPECIFIED
TWO DECIMAL PLACES = ±0.5	ANGLES SHALL BE 45°



7/8" ODS OUTLET




12xM14  
Screws on  
Ø190 PCD



**Technical Specifications:**

**Allowable Operating Temperature = -10°C to +70°C**

**Allowable Operating Pressure = 0 to 130 Barg**

CONNECTION SIZE	MATERIAL	
7/8"		
DESCRIPTION OF EQUIPMENT		
<b>REPLACEABLE CORE FILTER DRIER 7/8" ODS</b>		
PART NUMBER	SRCT-487	CURRENT ACTIVE REVISION
SCALE	1:3	B
DRAWN	M. Rapach	 <b>HILLINGTON, GLASGOW, UK</b>
DATE	18/4/24	
CUSTOMER DRAWING	DRAWING No.	REVISION
	<b>SRCT_487-Cust</b>	<b>B</b>