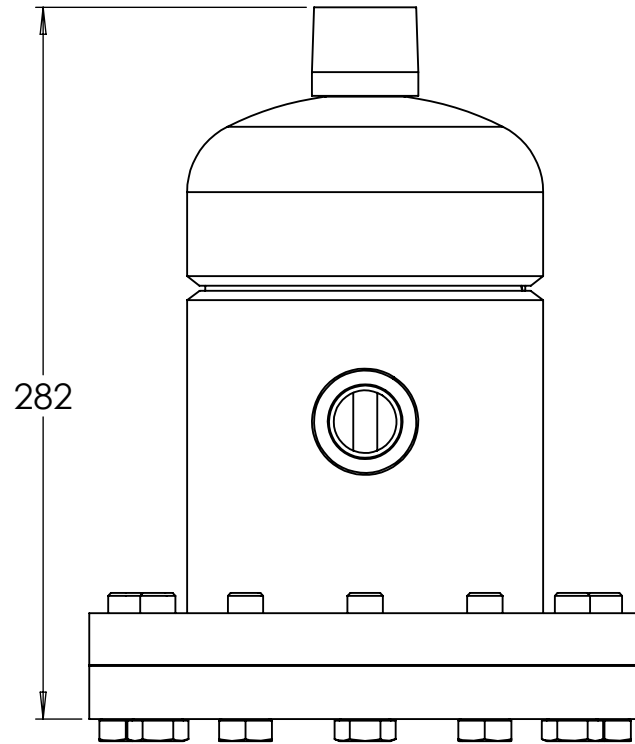
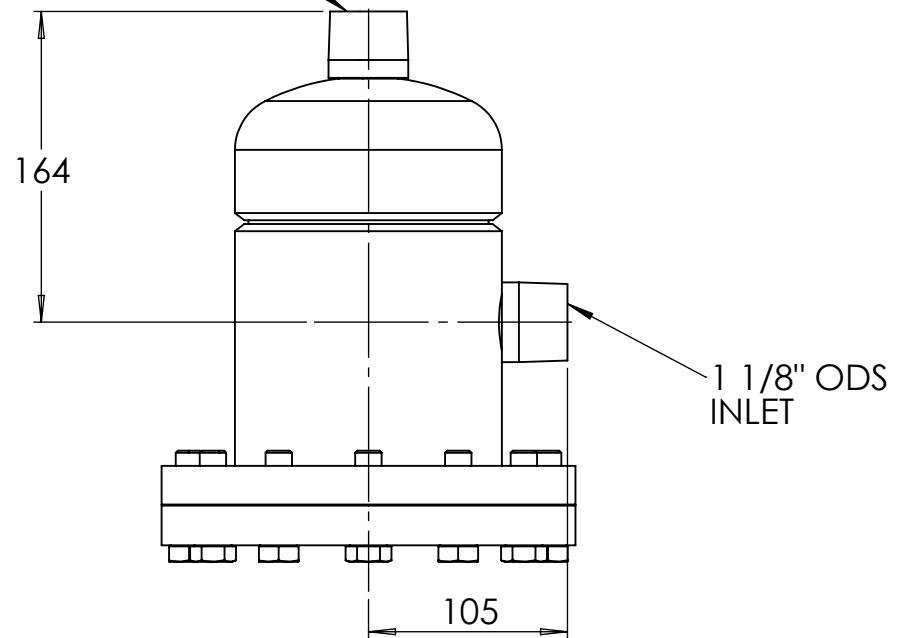




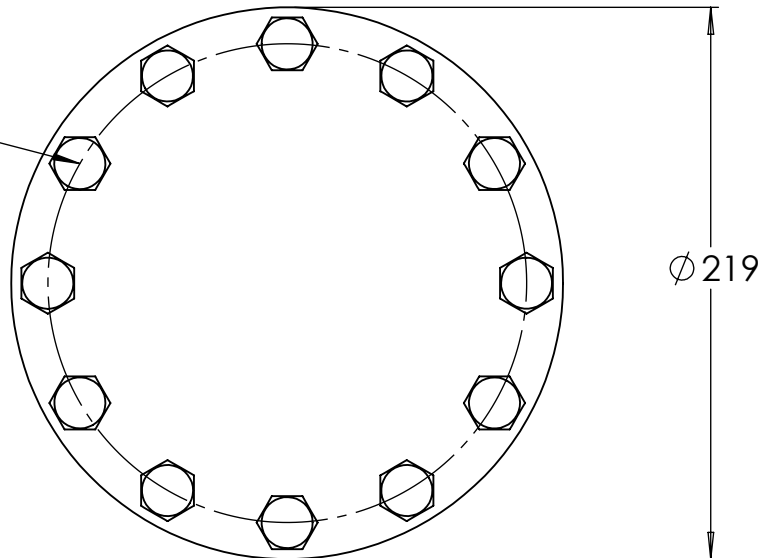
GENERAL TOLERANCES	ALL DIMENSIONS IN mm
NO DECIMAL PLACES = ±1.5	ANGULAR = ±2°
ONE DECIMAL PLACE = ±1.0	ALL UNSPECIFIED
TWO DECIMAL PLACES = ±0.5	ANGLES SHALL BE 45°



1 1/8" ODS OUTLET



12xM14
Screws on
Ø190 PCD



Technical Specifications:

Allowable Operating Temperature = -10°C to +70°C

Allowable Operating Pressure = 0 to 130 Barg

CONNECTION SIZE 1 1/8"	MATERIAL
DESCRIPTION OF EQUIPMENT REPLACEABLE CORE FILTER DRIER 1 1/8" ODS	
PART NUMBER SRCT-489	CURRENT ACTIVE REVISION B
SCALE 1:3	
DRAWN M. Rapach	
DATE 18/4/24	
CUSTOMER DRAWING	DRAWING No. SRCT_489-Cust
	REVISION B