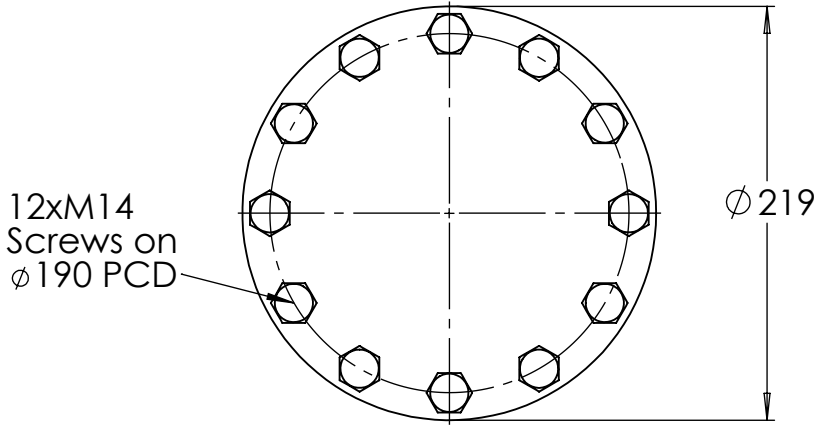
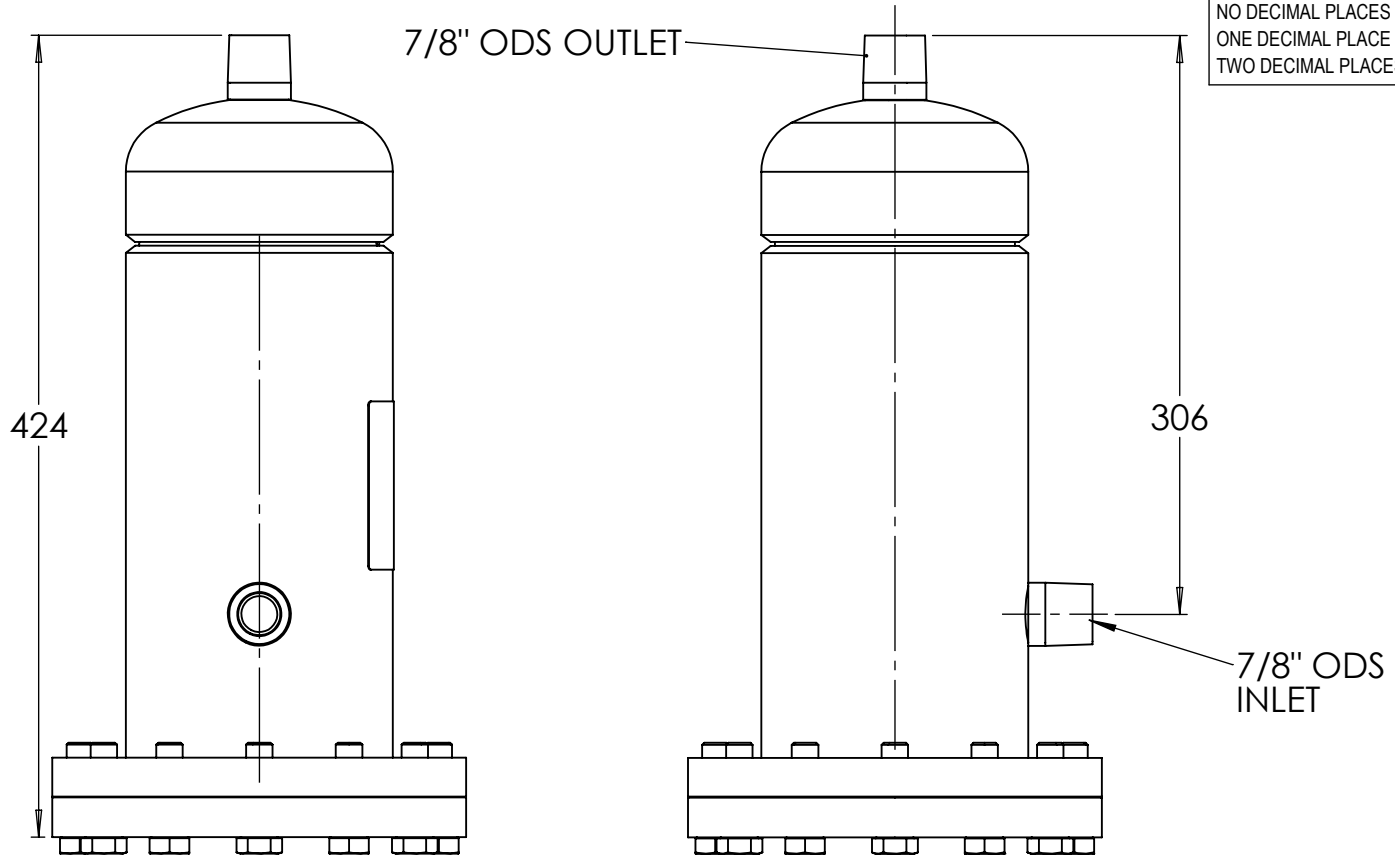




GENERAL TOLERANCES	ALL DIMENSIONS IN mm
NO DECIMAL PLACES = ±1.5	ANGULAR = ±2°
ONE DECIMAL PLACE = ±1.0	ALL UNSPECIFIED
TWO DECIMAL PLACES = ±0.5	ANGLES SHALL BE 45°



Technical Specifications:

Allowable Operating Temperature = -10°C to +70°C

Allowable Operating Pressure = 0 to 130 Barg

CONNECTION SIZE	MATERIAL	
7/8"		
DESCRIPTION OF EQUIPMENT		
REPLACEABLE CORE FILTER DRIER 7/8" ODS		
PART NUMBER	SRCT-967	CURRENT ACTIVE REVISION
SCALE	1:4	B
DRAWN	M. Rapach	
DATE	18/4/24	
CUSTOMER DRAWING	DRAWING No.	REVISION
	SRCT_967-Cust	B