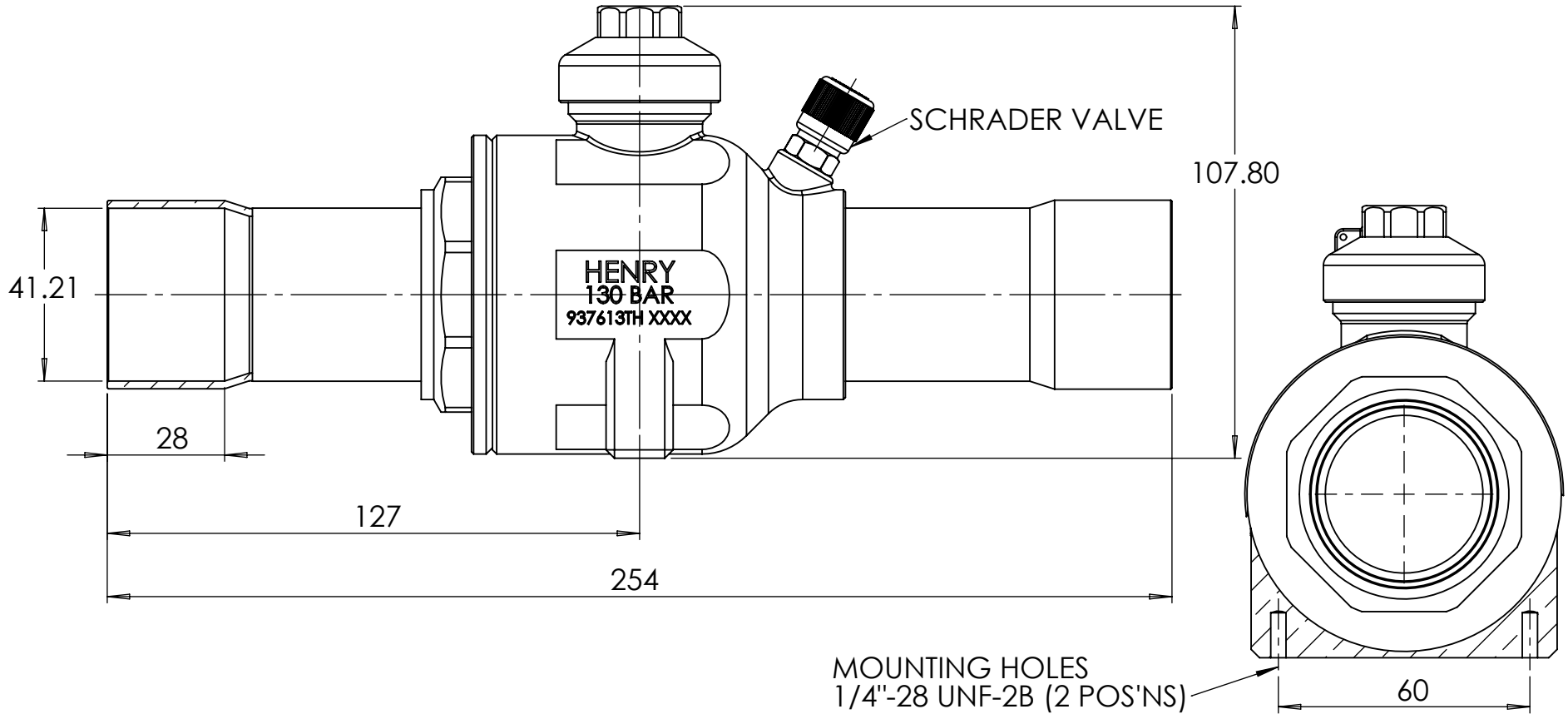


GENERAL TOLERANCES

NO DECIMAL PLACES = ±1.5
 ONE DECIMAL PLACE = ±1.0
 TWO DECIMAL PLACES = ±0.5


ALL DIMENSIONS IN mm

ANGULAR = ±2°
 ALL UNSPECIFIED
 ANGLES SHALL BE 45°



NOTES:

1. MAXIMUM WORKING PRESSURE: 130 BAR
2. OPERATIONAL TEMPERATURE: -40°C to +150°C
3. HFC, HCFC & CO2 COMPATIBLE
4. BI-DIRECTIONAL FLOW
5. UKCA & CE CATEGORY: CATEGORY I

| | | | |
|---|--|--|----------------------|
| CONNECTION SIZE 1 5/8" | | MATERIAL | |
| DESCRIPTION OF EQUIPMENT 1 5/8" ODS HIGH PRESSURE BALL VALVE, SCHRADER | | | |
| PART NUMBER 937613TH-Cust | | CURRENT ACTIVE REVISION A | |
| SCALE 2:3 | |  HENRY HILLINGTON, GLASGOW, UK | |
| DRAWN M. Rapach | | | |
| DATE 28/5/24 | | | |
| CUSTOMER DRAWING | | DRAWING No. 937613TH-Cust | REVISION A |